


Linear Ball Bushings

Single/Double - Flanged Single/Double

Features: Capable of rotary motion, finite linear motion, and the combination of both.

Industry Standard

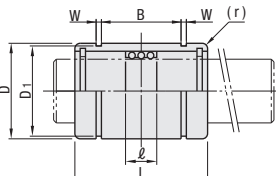


RoHS10

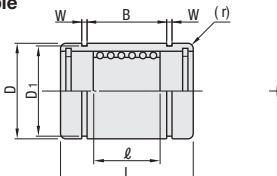
Type	Type	Outer Cylinder	Balls	Retainer	Ambient Operating Temp.	
		Material	Hardness	Material	Material	
Single	LBUS	SUU2 Equivalent	58HRC~	SUU2 Equivalent	A5052S	-20~110°C
Double	LBW					
Single	SLBUS	SUS440C Equivalent	56HRC~	SUS440C Equivalent	A5052S	-20~120°C
Double	SLBW					

* Retaining Ring
Material: SUS301

Single



Double




Part Number	Maximum Stroke	Number of Ball Rows		ℓ		D		L		B	W	D ₁	(r)	Basic Load Rating				Allowable Static Moment		Mass (g)		Unit Price			
		Single	Double	Single	Double	Single	Double	Tolerance	Tolerance	Tolerance	Tolerance	Single	Double	Single	Double	Single	Double	Single	Double	Single	Double	LBUS	SLBUS	LBW	SLBW
Single LBUS SLBUS	5	13	6	5.9	9.4	10	0	15	8	0	9.6	11.5	0.4	131	209	106	212	-	1.38	4	5				
	6	15	7	8.3	12.3	12	0	19	11.3	0	1.1	11.5	0.4	210	333	164	328	-	2.18	8	8				
	8	24	8	8.8	16.8	15	-0.011	24	15.3	0	1.1	14.3	0.4	323	512	278	556	-	4.31	15	17				
	10	30	8	10.8	21.8	19	0	29	19.4	0	1.1	18	0.4	499	793	408	815	-	7.24	30	33				
Double LBW SLBW	12	32	8	10.4	22.4	21	0	30	20.4	-0.4	1.3	20	0.8	722	1146	579	1157	-	10.9	32	36				
	13	34	10	11.4	23.4	23	-0.013	32	20.4	0	1.3	22	0.8	773	1226	634	1268	-	11.6	45	49				
	16	40	16	12.8	24.8	28	0	37	23.3	0	1.6	27	0.8	1330	2112	1029	2058	-	19.7	72	79				
	20	46	28	14.8	23.8	32	-0.016	42	27.3	0	1.6	30.5	0.8	1609	2554	1517	3035	-	26.8	94	102				

For Precautions for Use, see P.303. Select Height-adjusting Spacers for Flanged Bushings from P.303.

kgf=Nx0.10192

Features: Capable of rotary motion, finite linear motion, and the combination of both. Bolt-on flange offers assembly convenience.

Industry Standard

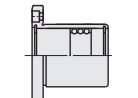


RoHS10

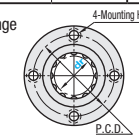
Type	Type	Outer Cylinder	Balls	Retainer	Ambient Operating Temp.		
	Round Flange	Compact Flange	Material	Hardness	Material		
Single	LBHR	LBHC	SUU2	58HRC~	SUU2	A5052S	-20~110°C
Double	LBHRW	LBHCW	Equivalent		Equivalent		

* Retaining Ring
Material: SUS301

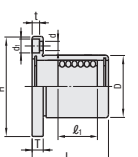
Single Type



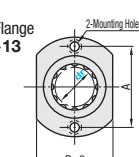
Round Flange



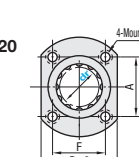
Double Type



Compact Flange
dr=6-13



dr=16, 20



dr	Tolerance	Maximum Stroke		Number of Ball Rows		ℓ_1		D		L		H	T	d	d ₁	t	P.C.D.	F	A	Eccentricity	Perpendicularity	Basic Load Rating				Allowable Static Moment (N·m)
		Single	Double	Single	Double	Single	Double	Tolerance	Tolerance	Single	Double											Single	Double	Single	Double	
6		15	7	8.3	12.3	12	0	19	28	5	3.5	6	3.1	20	-	20	0.012	0.012	210	333	164	328	-	2.18		
8		24	8	8.8	16.8	15	-0.013	24	32	6	4.5	7.5	4.1	24	-	24	0.012	0.012	323	512	278	556	-	4.31		
10	0	30	8	10.8	21.8	19	0	29	40	6	5.5	9	5.1	29	-	29	0.012	0.012	499	793	408	815	-	7.24		
12	-0.009	32	8	10.4	22.4	21	0	30	42	8	5.5	9	5.1	32	-	32	0.012	0.012	722	1146	579	1157	-	10.9		
13		34	10	11.4	23.4	23	-0.016	32	43	8	5.5	9	5.1	33	-	33	0.015	0.015	773	1226	634	1268	-	11.6		
16		40	16	12.8	24.8	28	0	37	48	8	5.5	9	5.1	38	22	31	0.015	0.015	1330	2112	1029	2058	-	19.7		
20	-0.010	46	28	14.8	23.8	32	-0.019	42	54	8	5.5	9	5.1	43	24	36	0.015	0.015	1609	2554	1517	3035	-	26.8		

For Precautions for Use, see P.303.

* Perpendicularity of D to flange mounting surface

kgf=Nx0.10192

Single

Part Number	dr	Unit Price	Mass (g)		
Type		LBHR	LBHC	Round	Compact
LBHR LBHC	6		23	20	
	8		41	37	
	10		71	63	
	12		67	59	
	13		87	80	
	16		119	111	
20		176	163		

Double

Part Number	dr	Unit Price	Mass (g)		
Type		LBHRW	LBHCW	Round	Compact
LBHRW LBHCW	6		24	21	
	8		43	39	
	10		74	66	
	12		71	63	
	13		91	84	
	16		126	118	
20		184	171		

Ordering Example
Part Number
LBHR10

Features and Precautions for Use for Linear Ball Bushings

(Product Specifications)

- Motion mechanism utilizing rolling balls, capable of linear and rotary motion.
- The bearing balls and the rolling surface are in point contact relationship enabling low friction rolling motion.
- Compatible with linear bushings, and load is evenly distributed.
- O.D. tolerance g6 shafts (P.101~189) can be used with the linear ball bushings.

When using preload, O.D. tolerance h5 shafts are recommended.

(Precautions for Use)

- Since the balls do not recirculate, its stroke capability is finite.