

Flanged Linear Bushings

Medium Type

= For customers selecting MISUMI original specifications =

The part enclosed in the red frame is as per standard specifications (Outer cylinder SUJ2 equivalent, Retainer resin). Consider these specifications while selecting the product.

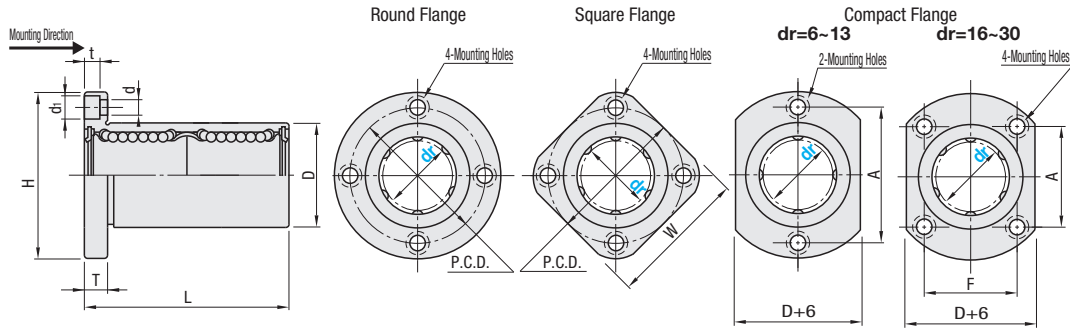
Features: Easy to assemble with bolt-on flanges.

MISUMI Original



RoHS10

Type			Outer Cylinder			Balls	Retainer	Ambient Operating Temp.	Accessory
Round Flange	Square Flange	Compact Flange	Material	Hardness	Surface Treatment	Material	Material		Material
LHFRD	LHFSF	LHFCF	SUJ2 Equivalent	58HRC~	-	SUJ2 Equivalent	Plastic (Duracon M90 Equivalent)	-20~80°C	Seal
LHFRDM	LHFSDF	LHFCDF			Electroless Nickel Plating	SUS440C Equivalent			Nitrile Rubber



Body length is approximately 1.5 times of single type, and allowable moment is approximately 4.3 times. (See Allowable Load Comparison)

Part Number	Type	dr	Tolerance	D Tolerance		L	H	T	d	d1	t	P.C.D.	W	F	A	Eccentricity (Max)	Rows of Balls	* Perpendicularity	Basic Load Rating			Allowable Static Moment (N·m)	Mass (g)							
				No Surface Treatment	Surface Treatment														Tolerance	C (Dynamic) N	Co (Static) N		Round Flange	Square Flange	Compact Flange					
LHFRD LHFSF LHFCF LHFRDM LHFSDF LHFCDF	6	0	-0.010	12	0	0	29	28	5	3.5	6	3.1	20	22	-	20	0.015	4	0.015	226	310	1.42	27	21	24					
				15	-0.013	-0.018	37	32	24	25	-	24	310	452	2.12	47				39	43									
				19				40	29	30	-	29	508	718	4.37	85				65	77									
				21	0	0	47	42	32	32	-	32	634	814	6.2	89				69	81									
				23	-0.016	-0.021	56	43	33	34	-	33	640	826	6.2	109				87	102									
				28				48	38	37	22	31	1164	1448	13.1	157				132	149									
	10	0	-0.012	-0.019	40	0	0	65	54	8	5.5	9	5.1	43	42	24	36	0.02	5	0.02	1554	2068	18.3	232	197	219				
					45	-0.019	-0.025	83	62	51	50	32	40	1725	3068	25.3	479				440	450								
					90				74	60	58	35	49	2440	3974	42.7	559				481	492								

For Precautions for Use, see P303. Select Height-adjusting Spacers for Flanged Bushings from P330.

* Perpendicularity of D to flange mounting surface kgf=Nx0.10192

dr	Round Flange		Square Flange		Compact Flange	
	LHFRD	LHFRDM	LHFSF	LHFSDF	LHFCF	LHFCDF
6						
8						
10						
12						
13						
16						
20						
25						
30						

Allowable Load Comparison

Type	Basic Dynamic Load Rating	Basic Static Load Rating	Allowable Static Moment
Short	0.7	0.6	Approx. 0.6
Single	1	1	1
Medium	1.4	1.3	Approx. 4.3
Double	1.6	2	Approx. 6
Medium Long	1.6	1.6	Approx. 10
Long	1.6	2	Approx. 21

* "1" represents Single Type for comparison.



Ordering Example

Part Number

LHFSF8
LHFRD10
LHFSDF12L (L Type Greased)

Alternative grease types available.

For Days to Ship, Price and Performance, see P304.