

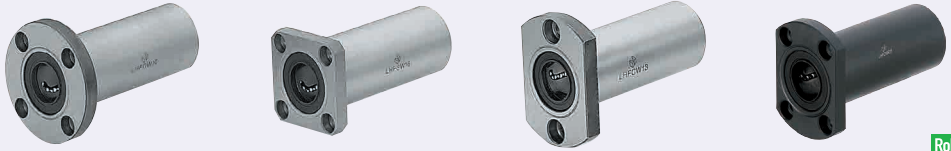
# Flanged Linear Bushings

## Double, Opposite Counterbored Hole

= For customers using industry standard products =  
 The part enclosed in the red frame is as per industry standard specifications (Outer cylinder SUJ2 equivalent, Retainer resin).  
 Consider these specifications while selecting the product.

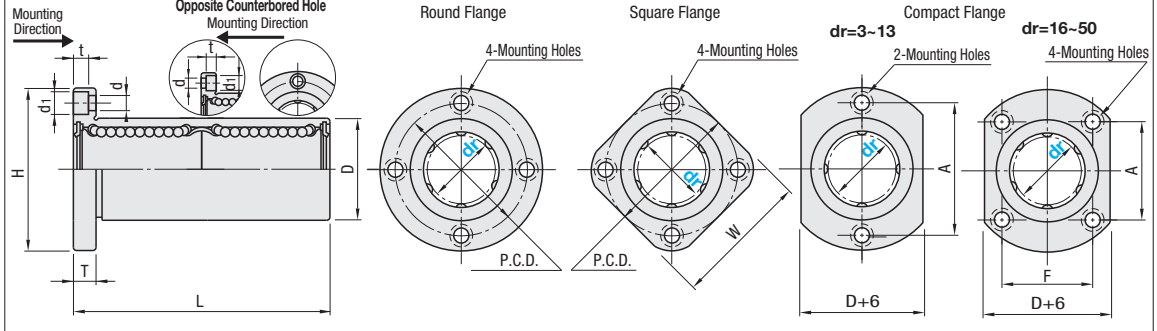
Features: Easy to assemble with bolt-on flanges.

### Industry Standard



RoHS10

Counterbored Holes	Type			Outer Cylinder			Balls	Retainer	Ambient Operating Temp.	Accessory
	Round Flange	Square Flange	Compact Flange	M Material	H Hardness	S Surface Treatment	M Material	M Material		A
Opposite Counterbored Hole	LHZRW	LHZSW	LHZCW	SUJ2 Equivalent	58HRC~	-	SUJ2 Equivalent	Plastic (Duracon M90 Equivalent)	-20~ 80°C	Seal M Material Nitrile Rubber (-20~120°C)
Standard Type	LHFRW-N	LHFSW-N	LHFCW-N							
	No Seal	No Seal	No Seal							
	LHFRW	LHFSW	LHFCW							
	LHFRWF	LHFSWF	LHFCWF							
	LHFRWR	LHFSWR	LHFCWR							
	LHFRWM	LHFSWM	LHFCWM							
	LHFRWMF	LHFSWMF	LHFCWMF							
	SLHFRW	SLHFSW	SLHFCW							
	SLHFRWS	SLHFSWS	SLHFCWS							
		SUS440C Equivalent	56HRC~	-	SUS440C Equivalent	Plastic (Duracon M90 Equivalent)	-20~ 80°C			
					Stainless Steel (SUS)	-20~ 110°C				
					Plastic (Duracon M90 Equivalent)	-20~ 80°C				
					Stainless Steel (SUS)	-20~ 110°C				
					Plastic (Duracon M90 Equivalent)	-20~ 80°C				
					Stainless Steel (SUS)	-20~ 120°C				



dr	D Tolerance		L Tolerance	H	T	d	d1	t	P.C.D.	W	F	A	Eccentricity	Rows of Balls	Perpendicularity	Basic Load Rating		Allowable Static Moment (N·m)	Mass (g)		
	No Surface Treatment	Surface Treatment														C (Dynamic) N	Co (Static) N		Round Flange	Square Flange	Compact Flange
3	7	0	19	19	3.5	2.5	4.5	2.1	13	15	-	13	0.010	4	0.010	138	210	0.51	8.7	7	7.7
4	8	0	23	20					14	16	-	14	0.010	4	0.010	176	254	0.63	11	9	10
5	10	-0.011	28	25					17	20	-	17	0.010	4	0.010	263	412	1.38	24	20	21
6	12	0	35	28	5	3.5	6	3.1	20	22	-	20	0.015	4	0.015	324	529	2.18	31	25	28
8	15	-0.013	45	32					24	25	-	24	0.015	4	0.015	431	784	4.31	51	43	47
10	19		55	40					29	30	-	29	0.015	4	0.015	588	1100	7.24	98	78	90
12	21	0	57	42	6	4.5	7.5	4.1	32	32	-	32	0.020	5	0.020	657	1200	10.9	110	90	102
13	23	-0.016	61	43					33	34	-	33	0.020	5	0.020	813	1570	11.6	130	108	123
16	28		70	48					38	37	22	31	0.020	5	0.020	1230	2350	19.7	190	165	182
20	32	0	80	54	8	5.5	9	5.1	43	42	24	36	0.025	6	0.025	1400	2740	26.8	260	225	247
25	40	-0.019	112	62					51	50	32	40	0.025	6	0.025	1560	3140	43.4	540	500	525
30	45	-0.021	123	74	10	6.6	11	6.1	60	58	35	49	0.025	6	0.025	2490	5490	82.8	680	590	645
35	52		135	82					67	64	38	55	0.025	6	0.025	2650	6270	110	1020	930	945
40	60	0	151	96	13	9	14	8.1	78	75	45	64	0.025	6	0.025	3430	8040	147	1570	1380	1423
50	80	-0.022	192	116					98	92	56	80	0.025	6	0.025	6080	15900	397	3600	3400	3437

For Precautions for Use, see P.303. Select Height-adjusting Spacers for Flanged Bushings from P.330.  
 No seal for dr=3~4, LHFRW-N · LHFSW-N · LHFCW-N. Reversed counterbored type can be bolted from the reverse side.

kgf-Nx0.10192

dr	Unit Price																											
	Round Flange						Square Flange						Compact Flange															
	LHZRW	LHFRW-N	LHFRW	LHFRWF	LHFRWR	LHFRWM	LHFRWMF	SLHFRW	SLHFRWS	LHZSW	LHFSW-N	LHFSW	LHFSWF	LHFSWR	LHFSWM	LHFSWMF	SLHFSW	SLHFSWS	LHZCW	LHFCW-N	LHFCW	LHFCWF	LHFCWR	LHFCWM	LHFCWMF	SLHFCW	SLHFCWS	
3	-	-	-	-	-	-	-	-	-	-	-	-	-	-	-	-	-	-	-	-	-	-	-	-	-	-	-	-
4	-	-	-	-	-	-	-	-	-	-	-	-	-	-	-	-	-	-	-	-	-	-	-	-	-	-	-	-
5	-	-	-	-	-	-	-	-	-	-	-	-	-	-	-	-	-	-	-	-	-	-	-	-	-	-	-	-
6	-	-	-	-	-	-	-	-	-	-	-	-	-	-	-	-	-	-	-	-	-	-	-	-	-	-	-	-
8	-	-	-	-	-	-	-	-	-	-	-	-	-	-	-	-	-	-	-	-	-	-	-	-	-	-	-	-
10	-	-	-	-	-	-	-	-	-	-	-	-	-	-	-	-	-	-	-	-	-	-	-	-	-	-	-	-
12	-	-	-	-	-	-	-	-	-	-	-	-	-	-	-	-	-	-	-	-	-	-	-	-	-	-	-	-
16	-	-	-	-	-	-	-	-	-	-	-	-	-	-	-	-	-	-	-	-	-	-	-	-	-	-	-	-
20	-	-	-	-	-	-	-	-	-	-	-	-	-	-	-	-	-	-	-	-	-	-	-	-	-	-	-	-
25	-	-	-	-	-	-	-	-	-	-	-	-	-	-	-	-	-	-	-	-	-	-	-	-	-	-	-	-
30	-	-	-	-	-	-	-	-	-	-	-	-	-	-	-	-	-	-	-	-	-	-	-	-	-	-	-	-
35	-	-	-	-	-	-	-	-	-	-	-	-	-	-	-	-	-	-	-	-	-	-	-	-	-	-	-	-
40	-	-	-	-	-	-	-	-	-	-	-	-	-	-	-	-	-	-	-	-	-	-	-	-	-	-	-	-
50	-	-	-	-	-	-	-	-	-	-	-	-	-	-	-	-	-	-	-	-	-	-	-	-	-	-	-	-

Ordering Example: LHFCW12 (No Seal), LHFCW-N12 (Low Temperature Black Chrome Plating), LHFCWR10 (L Type Greased), LHFCWR10L (L Type Greased).  
 For Features of Low Temperature Black Chrome Plating, see P.304. Alternative grease types available.  
 For Days to Ship, Price and Performance, see P.304.