

# Shaft Supports Bottom Mount (Machined)

## Side Slit

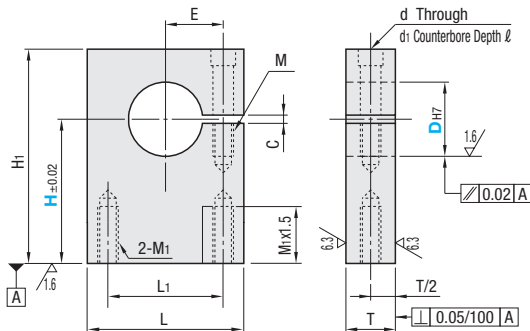
■ **Features:** Screw mount from underside is effective when the mounting host is too thin to tap, and in space limited applications.

### Side Slit



Type	M Material	S Surface Treatment	A Accessory
SHSWB	S45C	Black Oxide	Hex Socket Head Cap Screw 1 pc.
SHSWM	Equivalent	Electroless Nickel Plating	
SHSWS	SUS304	-	Hex Socket Head Cap Screw 1 pc. (SUS)
SHSWA	Aluminum Alloy	Clear Anodize	

25 / ( 6.3 / 1.6 / )



RoHS 10

⚠ Slit is machined after the mounting hole D is bored to H7 tolerance. The tolerance may become H8 or so depending on the machining condition.

Part Number Type	D	H Selection	L	H1	T	L1	E	Tightening Screw M	M1	d	d1	l	C	Unit Price				
														SHSWB	SHSWM	SHSWS	SHSWA	
SHSWB SHSWM SHSWS SHSWA	8	25 30	26	H+7	12	16	8	M4 Depth 8	4	4.5	8	4.5	2					
	10	25 30		H+9		20	10											
	12	25 30	32	H+10		21	10.5											
	13	25 30		H+11		23	11.5											
	15	25 30 40	34	H+12	16	14	34	17	M6 Depth 12	6	6.6	11	6.5					
	16	25 30 40												50	H+15	36	18	
	18	30 40 50	44	H+18	22	24	48	24	M8 Depth 16	8	9	14	9	3				
	20	30 40 50	70												H+21	56	28	
	25	30 40 50	50	H+24														
	30	40 50 60	70	H+27														
	35	40 50 60	76															
	40	40 50 60																

⚠ Values in ( ) are the T dimensions of SHSWA (Aluminum).



Ordering Example

Part Number - H  
SHSWB8 - 30



Alterations



Part Number - HC  
SHSWB20 - HC41.5

⚠ Express Service is not available.

Alteration	Code	Spec.
Mounting Height 	HC	Changes shaft mounting height. Change H to HC to specify height. ⚠ Specify HC in 0.1mm increments. ⚠ Specifiable Range Hmin.<HC<Hmax. [Ordering Code] HC35.6