

Shaft Supports Flanged Mount - Standard

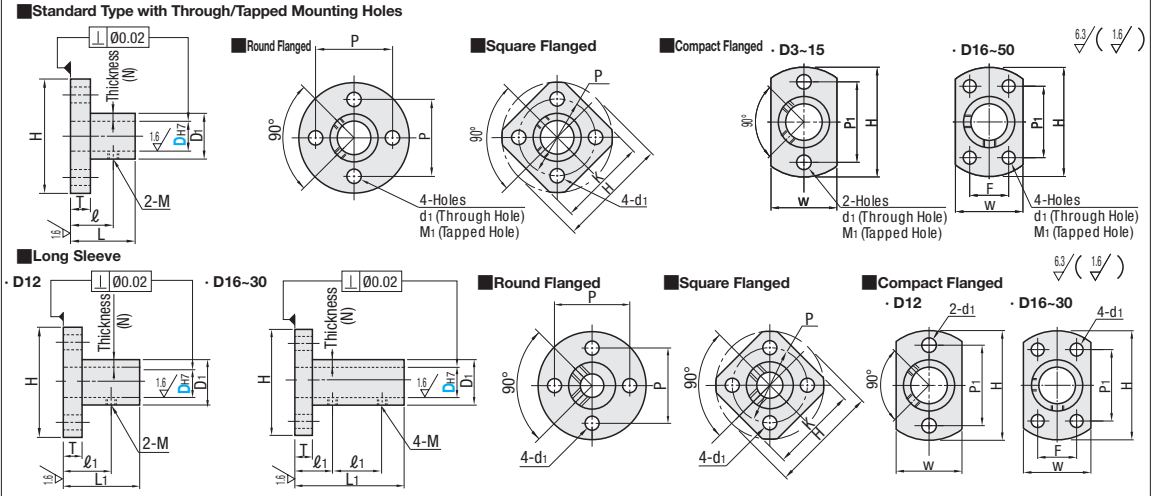
Standard - Through/Tapped Mounting Holes / Long Sleeve / With Pilot / With Dowel Holes

■ **Features:** Tapped Mounting Hole Type is suitable when tapping is difficult due to insufficient mounting plate strength (aluminum) or thickness.



Type	Through Mounting Holes			Tapped Mounting Holes			Material	Surface Treatment
	Round Flanged	Square Flanged	Compact Flanged	Round Flanged	Square Flanged	Compact Flanged		
Standard	STHRB	STHSB	STHCB	STHRBT	STHCBT		General Structural Steel	Black Oxide
	STHR	STHS	STHC	STHRT	STHCT			Electroless Nickel Plating
	SSTHR	SSTHS	SSTHC	SSTHRT	SSTHCT		SUS304	-
	ATHR	ATHS	ATHC	-	-			Clear Anodize
Long Sleeve	STHRBL	STHSBL	STHCBL	-	-		General Structural Steel	Black Oxide
	STHRL	STHSL	STHCL	-	-			Electroless Nickel Plating
	SSTHRL	SSTHSL	SSTHCL	-	-		SUS304	-

☞ See Alterations section for inclusion of a Hex Socket Set Screw.



Part Number		Type		DH7	Sleeve Thickness (N)	L	L1	D1	H	T	l	l1	M (Coarse)	P	K	W	P1	F	d1	M1 (Coarse)	
Standard - Through Mounting Holes																					
		3		+0.010 0	2.5	10		8	22	3	7		M3	15	16	8	15				
Round Flanged	Square Flanged	5	STHCB	+0.012		10		9	24	3	7				17	19	9	17			
STHRB	STHSB	6	STHC	0	12		10	25	3.5	7			18	20	10	18			3.5	-	
STHR	STHS	8	STHC		3	15	-	12	28	3.5	7		20	22	12	20					
SSTHR	SSTHS	8M	SSTHC		16			12	28		10		M4	20	22	16	20			4.5	M4
ATHR	ATHS	10	ATHC	+0.015	2			14	30		12		M3	22	23	18	22			3.5	-
		10M		0	20								M4	22	23	18	22			4.5	M4
Standard Type with Tapped Mounting Holes (Only for D dimension denoted with "²" mark)																					
		12²		+0.018	2.5	24	30	16	36		15	15	M4	26	28	20	26				
STHRBT	STHSB	13	STHCBT	0		30	-	18	38		6				28	30	22	28			4.5
STHR	STHS	15²	STHC		3	32	48	22	42		18	-	30	32	24	30					
SSTHR	SSTHS	16²	SSTHC		5	32	-	28	50	8	20	-	39	39	32	31	22				
STHRT	STHCT	18	STHCT		3	32	48	28	50	8	20	16	M5	39	39	32	31	22		5.5	M5
SSTHRT	SSTHCT	20²		0	4	38	57	33	55	8	23	19	M4	44	44	37	36	24			
		25²			5			38	66	10	24	19	M6	52	52	42	41	27			
STHRBL	STHSBL	35	STHCBL	+0.021		32	48	28	50	8	20	16			52	52	42	41	27		
STHR	STHS	40	STHC	0	4	38	57	33	55	8	23	19	M5	44	44	37	36	24			
SSTHR	SSTHS	35	SSTHC		5			45	80	10			M6	65	65	55	56	33			
ATHR	ATHS	40	ATHC	+0.025	10	50	-	60	90	10	30	-		75	75	65	65	38			
		50		0				70	100	10				85	90	75	74	43			

☞ Tapped Mounting Hole Type is available only for D dimension denoted with "²" mark. ☞ Long Sleeve Type is available only for D dimension denoted with "¹" mark. ☞ Only SS400 Equivalent and SUS304 are applicable to D dimension 8M and 10M (A6061 is not applicable).

■ **Standard**

D	Unit Price											
	Round Flanged				Square Flanged				Compact Flanged			
	STHRB	STHR	SSTHR	ATHR	STHSB	STHS	SSTHS	ATHS	STHCB	STHC	SSTHC	ATHC
3												
4												
5												
6												
8, 8M ²												
10, 10M ²												
12 ²												
13												
15 ²												
16 ²												
18												
20 ²												
25 ²												
30 ²												
35												
40												
50												

■ **Long Sleeve**

D	Unit Price								
	Round Flanged			Square Flanged			Compact Flanged		
	STHRBL	STHRL	SSTHRL	STHSBL	STHSL	SSTHSL	STHCBL	STHCL	SSTHCL
12									
16									
20									
25									
30									

■ **Notes on Selecting Standard Type**
 ☞ Tapped Mounting Hole Type is available only for D dimension denoted with "²" mark.
 ☞ Aluminum is not available for products with D dimension 8M and 10M.

