

# P TYPE



\* Excluding PT



Swivel



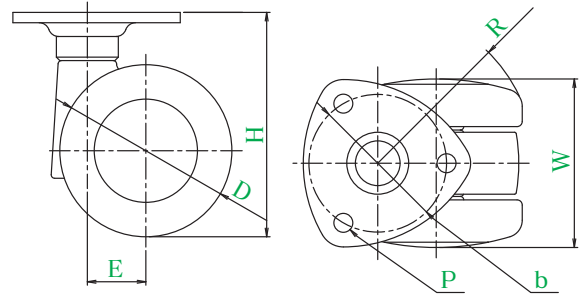
Plate type



P-50G



P-60G



● Description of product number

**P - 50 G**

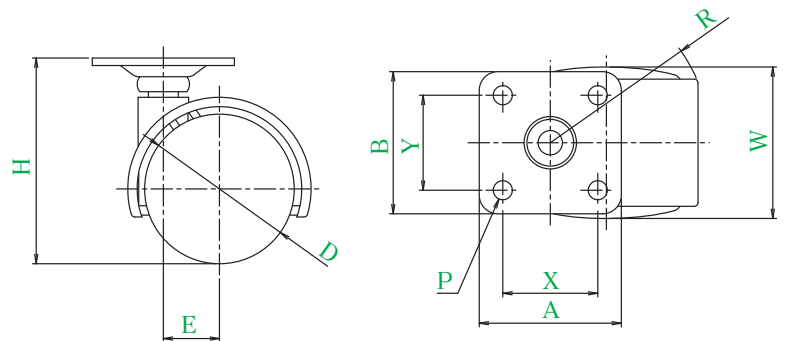
Body type | Wheel diameter | Intensity

Body, wheel = Nylon

Product number									
	Wheel diameter D(mm)	Wheel width W(mm)	Mounting height H(mm)	Mounting dimensions b(mm)	Hole diameter P(mm)	Eccentricity E(mm)	Turning radius R(mm)	Allowance load daN(kgf)	Wheel weight (g)
P-50G	50	49	65	40	5.5	17	46	60(61.2)	150
P-50HG	50	49	65	40	5.5	17	46	100(102.0)	155
P-60G	60	55	79	40	5.5	17	55	100(102.0)	185



PT-40G



Body, wheel = Nylon

Product number										
	Wheel diameter D(mm)	Wheel width W(mm)	Mounting height H(mm)	Mounting base A × B(mm)	Mounting dimensions X × Y(mm)	Hole diameter P(mm)	Eccentricity E(mm)	Turning radius R(mm)	Allowance load daN(kgf)	Wheel weight (g)
PT-40G	40	40.5	55	38 × 38	25.4 × 25.4	5.1	15	43	20(20.4)	
PT-50G	50	45	65	38 × 38	25.4 × 25.4	5.1	18	51	30(30.6)	

- J
- PM
- J2
- RJ2
- SJ
- S
- E
- G
- L
- SA
- H
- CAL -H
- M
- PL
- Silence
- SUS -J2
- SUS -SJ
- SUS -S
- SUS -E
- SUS -H
- P**
- SKY
- Equipped with adjuster foot
- Special
- Easy lock
- Wheels