

# SUS-SJ-S TYPE



There are some non-conforming products.



Swivel



Plate type



Equipped with a single stopper



Double bearing

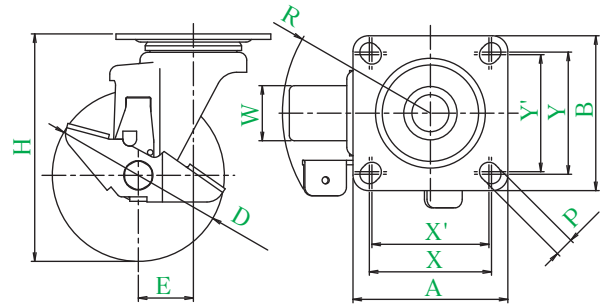


Stainless steel

• Equipped with a pedal type single stopper



SUS-SJ-100GUS



## Description of product number

**SUS - SJ - 100 GU S**

Bracket type  
Wheel diameter  
Wheel type  
Equipped with stopper

Bracket = Stainless steel

Product number	Wheels										
		Wheel diameter D(mm)	Wheel width W(mm)	Mounting height H(mm)	Mounting base A × B(mm)	Mounting dimensions X × Y(X' × Y') (mm)	Hole diameter P(mm)	Eccentricity E(mm)	Turning radius R(mm)	Allowance load daN(kgf)	Wheel weight (g)
SUS-SJ-100	NR S	100	32	132	90 × 90	71 × 71 (68 × 68)	11	32	86	100(102.0)	940
	N S									100(102.0)	830
	NB S									100(102.0)	930
	GU S									100(102.0)	870
SUS-SJ-125	GU S	125	32	168	102 × 102	80 × 80 (75 × 75)	11	32	97	120(122.4)	1100

● These casters are used for only locking rotation of the wheel.

### Wheel in use

Refer to P162 for detailed specifications.



NR

Rubber wheel with nylon wheel assembly (including B)



N

Nylon wheel



NB

Nylon wheel (including B)



GU

Urethane wheel with nylon wheel assembly (including B)

- J
- PM
- J2
- RJ2
- SJ
- S
- E
- G
- L
- SA
- H
- CAL-H
- M
- PL
- Silence
- SUS-J2
- SUS-SJ**
- SUS-S
- SUS-E
- SUS-H
- P
- SKY
- Equipped with adjuster foot
- Special
- Easy lock
- Wheels