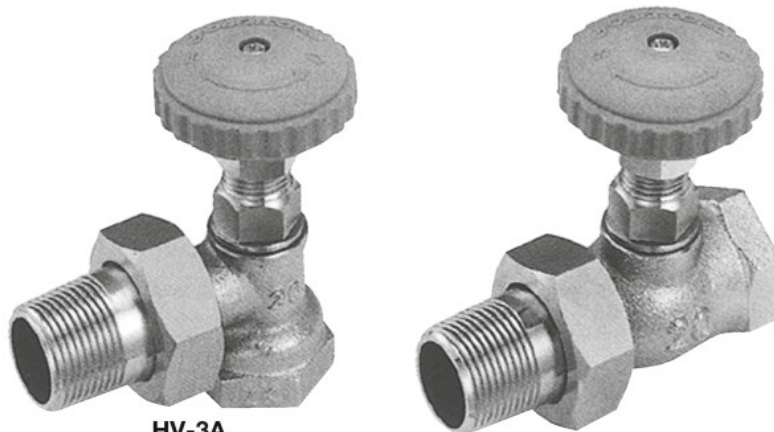


HV-3

Return valve combined type

HV-3 is used as a radiation valve and return valve for cold and hot water heat radiator. It is used in a building and housing.



HV-3A
<Angle type>

HV-3S
<Straight type>

■Features

1. General valve structure and the valve is completely closed with a fluororesin disc.
2. Small handle torque by a fluororesin mold gland packing.
3. No rust and tarnish by chromium-plating on the outside.

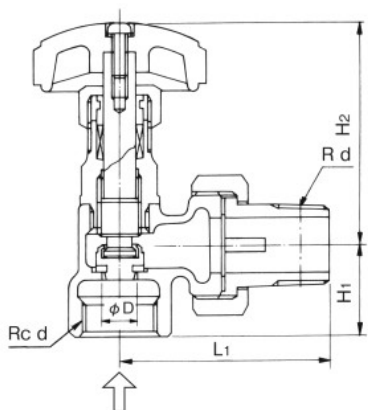
■Specifications

Application	Cold and hot water	
Maximum pressure	0.6 MPa	
Maximum temperature	90°C	
Material	Body	Bronze
	Valve	Fluororesin
	Brass	Brass
Connection	Inlet: JIS Rc screwed Outlet: JIS R screwed (union joint)	

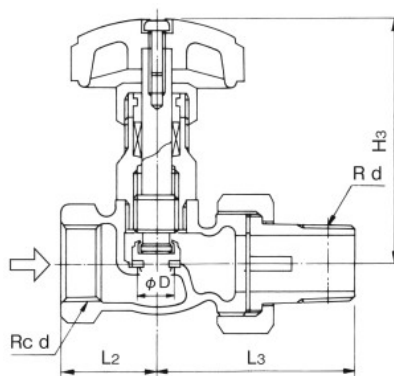
· When using the return valve, remove the handle after adjusting the flow rate as needed.

■Dimensions (mm) and Weights (kg)

Nominal size	d	L ₁	L ₂	L ₃	H ₁	H ₂	H ₃	D	Weight	
									Angle type	Straight type
15A	1/2	56	25	53	24	59-63	65-69	10	0.29	0.31
20A	3/4	63	28.5	59.5	28	62-68	70-76	13	0.41	0.47



HV-3A<Angle type>



HV-3S<Straight type>