

Ethernet plug-in connector

Tension clamp connection M12, metal (EMC)
D-coded

Industrial Ethernet

C

SAISM / SAIBM

straight



SAISW / SAIBW

angled



Ordering data

Male	4-pole, PG 9
Socket	4-pole, PG 9
Note	

Type	Qty.	Order No.
SAISM-4/8S-M12-4P D-COD	1	1892120000
SAIBM-4/8S-M12-4P D-COD	1	1892130000

Type	Qty.	Order No.
SAISW-4/8S-M12 4P D-ZF	1	1803930001
SAIBW-4/8S-M12 4P D-ZF	1	1139330000

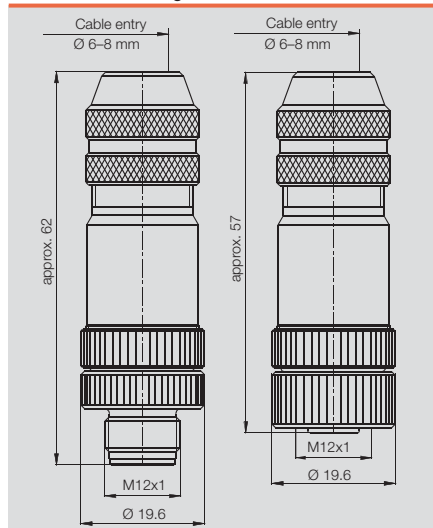
Technical data

Type of connection
Housing main material
Contact tube diameter
Cable diameter
Cross-section for connected wire
Rated current
Rated voltage
Temperature range of housing
Protection class
Contact surface
Note

Screw connection
CuZn
M12
6...8 mm (PG9)
0.14 - 0.75 mm ²
4 A
250 V
-25...+85 °C
IP 67
gold-plated

Tension clamp connection
PA
M12
4...6 mm
0.25 - 0.5 mm ²
4 A
250 V
-25...+85 °C
IP 67
gold-plated

Dimensioned drawing



Dimensioned drawing

