

Tension clamp connection M12,
stainless steel
B-coded

SAIS / SAIB VA

straight



Ordering data

Male	5-pole, PG 9
Socket	5-pole, PG 9
Note	

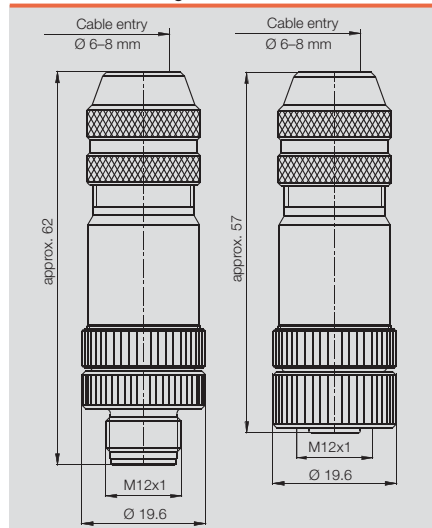
Type	Qty.	Order No.
SAIS 5/9-VA-B-COD	1	1920720000
SAIB 5/9-VA-B-COD	1	1920730000

Technical data

Type of connection	Tension clamp connection
Housing main material	1.4404/316L
Contact tube diameter	M12
Cable diameter	6...8 mm
Cross-section for connected wire	0.25 - 0.5 mm ²
Rated current	4 A
Rated voltage	125 V
Temperature range of housing	-25...+85 °C
Protection class	IP 69 k
Contact surface	gold-plated
Note	PB = PROFIBUS (B-COD)

Type of connection	Tension clamp connection
Housing main material	1.4404/316L
Contact tube diameter	M12
Cable diameter	6...8 mm
Cross-section for connected wire	0.25 - 0.5 mm ²
Rated current	4 A
Rated voltage	125 V
Temperature range of housing	-25...+85 °C
Protection class	IP 69 k
Contact surface	gold-plated
Note	PB = PROFIBUS (B-COD)

Dimensioned drawing



PB = PROFIBUS (B-COD)