

End locking, lower side

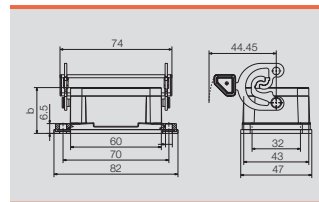
Size 3

Base

Bulkhead housing



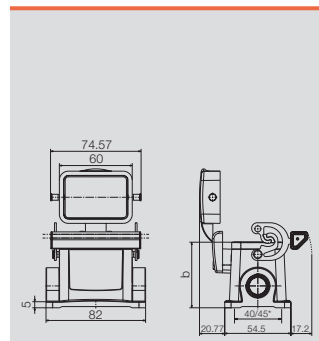
Version	Cover	b (mm)	Type	Order No.
		29	HDC 06B ALU	1202100000
	with cover	47	HDC 06B ADLU	1202500000
		27.8	HDC 06B ALU O-RING	1019870000



Base housing



a	Version	Cover	b (mm)	Type	Order No.
M 20	w. threading		54	HDC 06B SLU 1M20G	1900460000
M 20	w. threading	with cover	72	HDC 06B SDLU 1M20G	1900360000
M 20	w. threading		54	HDC 06B SLU 2M20G	1788140000
M 20	w. threading	with cover	72	HDC 06B SDLU 2M20G	1788170000
M 25	w. threading		54	HDC 06B SLU 1M25G	1900480000
M 25	w. threading	with cover	72	HDC 06B SDLU 1M25G	1900380000
M 25	w. threading		74	HDC 16D SLU 1M25G	1900880000
M 25	w. threading	with cover	92	HDC 16D SDLU 1M25G	1900820000
M 25	w. threading		54	HDC 06B SLU 2M25G	1788130000
M 25	w. threading		74	HDC 16D SLU 2M25G	1787520000
M 25	w. threading	with cover	92	HDC 16D SDLU 2M25G	1787540000
M 25	w. threading	with cover	72	HDC 06B SDLU 2M25G	1788160000
M 32	w. threading		74	HDC 16D SLU 1M32G	1900900000
M 32	w. threading		74	HDC 16D SLU 2M32G	1787510000
PG 16	w. threading		54	HDC 06B SLU 1PG16G	1652750000
PG 16	w. threading	with cover	72	HDC 06B SDLU 1PG16G	1652980000
PG 16	w. threading		54	HDC 06B SLU 2PG16G	1652760000
PG 16	w. threading	with cover	72	HDC 06B SDLU 2PG16G	1652990000
PG 21	w. threading		74	HDC 16D SLU 2PG21G	1652840000

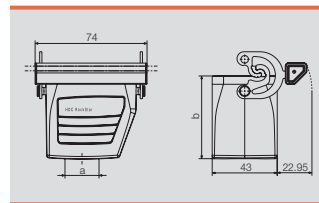


* Mounting dimensions for size-3 base housings, tall shape (16D)

Coupling housing



a	Version	Cover	b (mm)	Type	Order No.
M 25	w. threading		55	HDC 06B KLU 1M25G	1021330000
PG 21	w. threading		75	HDC 16D KLU 1PG21G	1653230000
PG 16	w. threading		55	HDC 06B KLU 1PG16G	1653200000



Cover



Version	Type	Order No.
For bases	HDC 06B DODL 2B0	1665200000

