

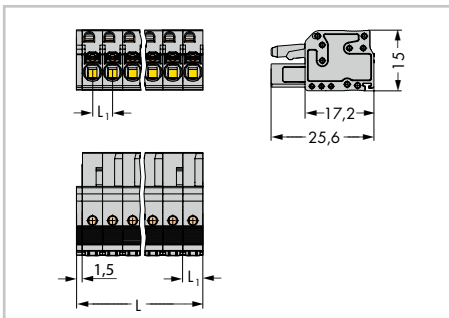
Female Connectors with Push-Buttons MCS MIDI Classic

PUSH-IN CAGE CLAMP®

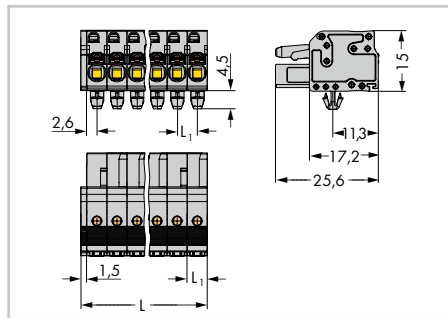
6

381

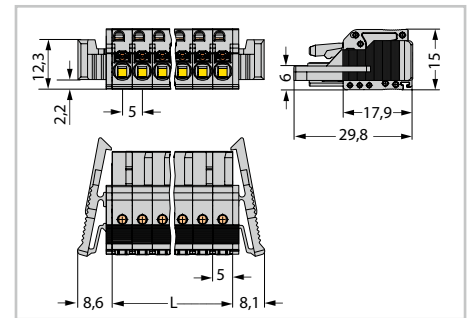
Pin spacing: 5 mm / 0.197 in.		With snap-in mounting feet Pin spacing: 5 mm / 0.197 in.		With locking levers Pin spacing: 5 mm / 0.197 in.	
0.2 ... 2.5 mm ²	24 ... 12 AWG	0.2 ... 2.5 mm ²	24 ... 12 AWG	0.2 ... 2.5 mm ²	24 ... 12 AWG
320 V/4 kV/2 16 A	300 V/15 A	320 V/4 kV/2 16 A	300 V/15 A	320 V/4 kV/2 16 A	300 V/15 A



L = (pole no. x pin spacing) + 1.5 mm
L₁ = 5 mm



L = (pole no. x pin spacing) + 1.5 mm
L₁ = 5 mm



L = pole no. x pin spacing

Pole No.	Item No.	Pack. Unit	Pole No.	Item No.	Pack. Unit	Pole No.	Item No.	Pack. Unit
Female connector with push-buttons, gray			Female connector with push-buttons and snap-in mounting feet, for 0.6 ... 1.2 mm plate thickness, 3.5 mm Ø mounting holes, gray			Female connector with push-buttons and locking levers, gray		
2	2231-102/026-000	100	2	2231-102/008-000	100	2	2231-102/037-000	100
3	2231-103/026-000	100	3	2231-103/008-000	100	3	2231-103/037-000	50
4	2231-104/026-000	100	4	2231-104/008-000	100	4	2231-104/037-000	50
5	2231-105/026-000	100	5	2231-105/008-000	100	5	2231-105/037-000	50
6	2231-106/026-000	50	6	2231-106/008-000	50	6	2231-106/037-000	50
7	2231-107/026-000	50	7	2231-107/008-000	50	7	2231-107/037-000	50
8	2231-108/026-000	50	8	2231-108/008-000	50	8	2231-108/037-000	25
9	2231-109/026-000	50	9	2231-109/008-000	50	9	2231-109/037-000	25
10	2231-110/026-000	50	10	2231-110/008-000	50	10	2231-110/037-000	25
11	2231-111/026-000	25	11	2231-111/008-000	25	11	2231-111/037-000	25
12	2231-112/026-000	25	12	2231-112/008-000	25	12	2231-112/037-000	25
13	2231-113/026-000	25	13	2231-113/008-000	25	13	2231-113/037-000	25
14	2231-114/026-000	25	14	2231-114/008-000	25	14	2231-114/037-000	25
15	2231-115/026-000	25	15	2231-115/008-000	25	15	2231-115/037-000	25
16	2231-116/026-000	25	16	2231-116/008-000	25	16	2231-116/037-000	10
17	2231-117/026-000	25	17	2231-117/008-000	25	17	2231-117/037-000	10
18	2231-118/026-000	25	18	2231-118/008-000	25	18	2231-118/037-000	10
19	2231-119/026-000	10	19	2231-119/008-000	10	19	2231-119/037-000	10
20	2231-120/026-000	10	20	2231-120/008-000	10	20	2231-120/037-000	10
21	2231-121/026-000	10	21	2231-121/008-000	10	21	2231-121/037-000	10
22	2231-122/026-000	10	22	2231-122/008-000	10	22	2231-122/037-000	10
23	2231-123/026-000	10	23	2231-123/008-000	10	23	2231-123/037-000	10
24	2231-124/026-000	10	24	2231-124/008-000	10	24	2231-124/037-000	10

2- to 3-pole female connectors – one latch only

Accessory	Page
Mounting adapter for DIN 35 rail, 3 or more poles [209-137]	479