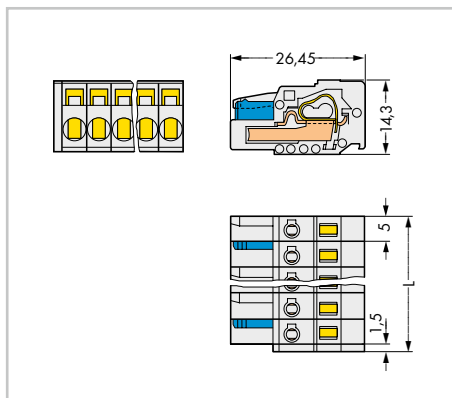
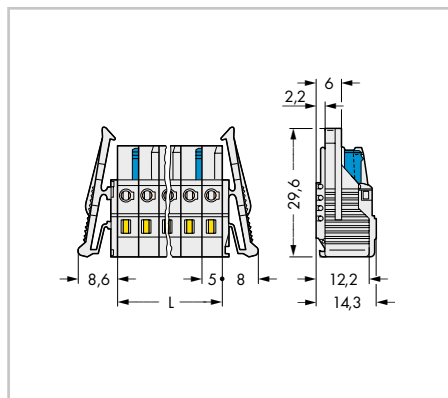


# Female Connectors MCS MIDI

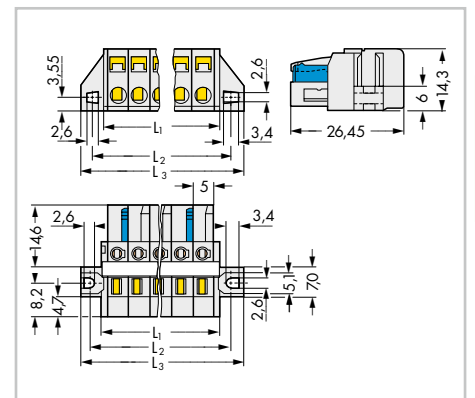
Pin spacing: 5 mm / 0.197 in.		With locking levers Pin spacing: 5 mm / 0.197 in.		With fixing flanges, for racks and through-panel mounting Pin spacing: 5 mm / 0.197 in.	
0.08 ... 2.5 mm <sup>2</sup> 320 V/4 kV/2 16 A	28 ... 12 AWG 300 V/15 A	0.08 ... 2.5 mm <sup>2</sup> 320 V/4 kV/2 16 A	28 ... 12 AWG 300 V/15 A	0.08 ... 2.5 mm <sup>2</sup> 320 V/4 kV/2 16 A	28 ... 12 AWG 300 V/15 A



L = (pole no. x pin spacing) + 1.5 mm



L = pole no. x pin spacing



L<sub>1</sub> = (pole no. x pin spacing) + 3 mm  
L<sub>2</sub> = (pole no. x pin spacing) + 8.8 mm  
L<sub>3</sub> = (pole no. x pin spacing) + 14.8 mm

Pole No.	Item No.	Pack. Unit	Pole No.	Item No.	Pack. Unit	Pole No.	Item No.	Pack. Unit
Female connector, light gray			Female connector with locking levers, light gray			Female connector with fixing flanges, for racks and through-panel mounting, with reinforcing strips, light gray		
2	721-102/026-000	100	2	721-102/037-000	100	2	721-102/031-000	100
3	721-103/026-000	100	3	721-103/037-000	50	3	721-103/031-000	50
4	721-104/026-000	100	4	721-104/037-000	50	4	721-104/031-000	50
5	721-105/026-000	100	5	721-105/037-000	50	5	721-105/031-000	50
6	721-106/026-000	50	6	721-106/037-000	50	6	721-106/027-000	50
7	721-107/026-000	50	7	721-107/037-000	50	7	721-107/027-000	50
8	721-108/026-000	50	8	721-108/037-000	25	8	721-108/027-000	50
9	721-109/026-000	50	9	721-109/037-000	25	9	721-109/027-000	25
10	721-110/026-000	50	10	721-110/037-000	25	10	721-110/027-000	25
11	721-111/026-000	25	11	721-111/037-000	25	11	721-111/027-000	25
12	721-112/026-000	25	12	721-112/037-000	25	12	721-112/027-000	25
13	721-113/026-000	25	13	721-113/037-000	25	13	721-113/027-000	25
14	721-114/026-000	25	14	721-114/037-000	25	14	721-114/027-000	25
15	721-115/026-000	25	15	721-115/037-000	25	15	721-115/027-000	25
16	721-116/026-000	25	16	721-116/037-000	10	16	721-116/027-000	10
20	721-120/026-000	10	20	721-120/037-000	10	20	721-120/027-000	10
2-pole female connectors - one latch only						Item nos. for 2- to 5-pole female connectors are identical to item nos. for panel-mount female connectors without reinforcing strips.		
						For cutout dimensions, see page 488, Table 1.		