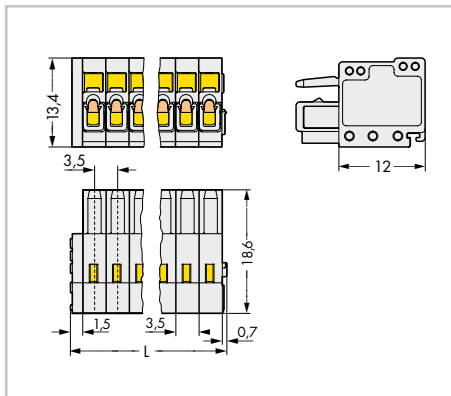
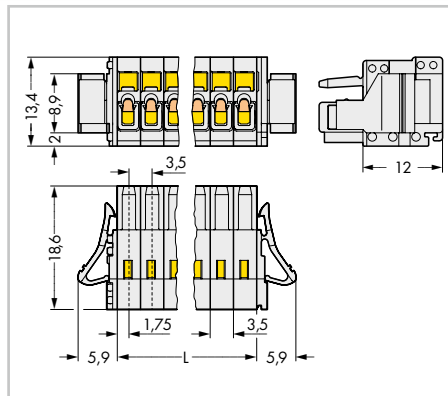


# Female Connectors MCS MINI

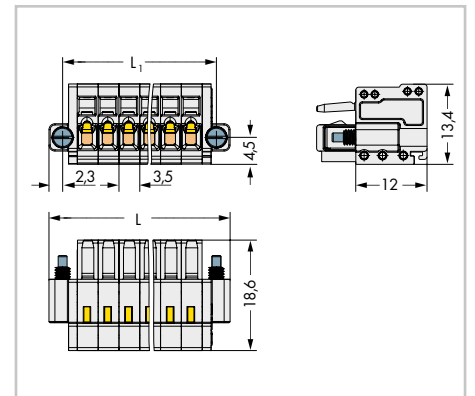
Pin spacing: 3.5 mm / 0.138 in.		With locking levers Pin spacing: 3.5 mm / 0.138 in.		With screw flanges Pin spacing: 3.5 mm / 0.138 in.	
0.08 ... 1.5 mm <sup>2</sup>	28 ... 14 AWG	0.08 ... 1.5 mm <sup>2</sup>	28 ... 14 AWG	0.08 ... 1.5 mm <sup>2</sup>	28 ... 14 AWG
160 V/2.5 kV/2 10 A	300 V/10 A	160 V/2.5 kV/2 10 A	300 V/10 A	160 V/2.5 kV/2 10 A	300 V/10 A



L = (pole no. x pin spacing) + 2.2 mm



L = pole no. x pin spacing



L = (pole no. x pin spacing) + 9.5 mm  
L<sub>1</sub> = (pole no. x pin spacing) + 4.9 mm

Pole No.	Item No.	Pack. Unit	Pole No.	Item No.	Pack. Unit	Pole No.	Item No.	Pack. Unit
Female connector, light gray			Female connector with locking levers, light gray			Female connector with screw flanges, light gray		
2	734-102	200	2	734-102/037-000	100	2	734-102/107-000	100
3	734-103	200	3	734-103/037-000	100	3	734-103/107-000	100
4	734-104	100	4	734-104/037-000	100	4	734-104/107-000	100
5	734-105	100	5	734-105/037-000	50	5	734-105/107-000	50
6	734-106	100	6	734-106/037-000	50	6	734-106/107-000	50
7	734-107	100	7	734-107/037-000	50	7	734-107/107-000	50
8	734-108	50	8	734-108/037-000	50	8	734-108/107-000	50
9	734-109	50	9	734-109/037-000	50	9	734-109/107-000	50
10	734-110	50	10	734-110/037-000	50	10	734-110/107-000	50
11	734-111	50	11	734-111/037-000	50	11	734-111/107-000	50
12	734-112	50	12	734-112/037-000	50	12	734-112/107-000	50
13	734-113	50	13	734-113/037-000	25	13	734-113/107-000	25
14	734-114	50	14	734-114/037-000	25	14	734-114/107-000	25
16	734-116	25	16	734-116/037-000	25	16	734-116/107-000	25
18	734-118	25	18	734-118/037-000	25	18	734-118/107-000	25
20	734-120	25	20	734-120/037-000	25	20	734-120/107-000	25
24	734-124	25	24	734-124/037-000	10	24	734-124/107-000	10