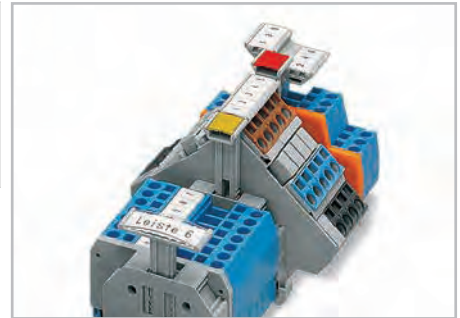


Group Marker Carriers (Height-Adjustable) and Movable Marking System

Height-adjustable group marker carrier	Carrier-through element
--	-------------------------



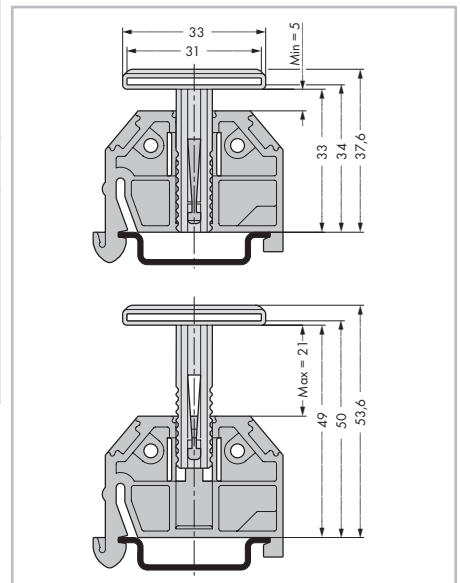
Receptacles for:
 1 x marker
 2 x WMB (Multi marking) or
 3 x WCB (Combi marking) or
 1 x WFB (Continuous marking strips)



Item No.	Pack. Unit	Item No.	Pack. Unit
Height-adjustable group marker carrier, snap-on type and height-adjustable from 43.5 mm ... 59.5 mm in 249-116 and 249-117 end stops, for 1 marker or self-adhesive label and transparent protection covers, 10 mm wide ● gray 249-119 50 (2x25)		Carrier-through element, height-adjustable ● gray 709-118 50 (2x25)	
snap-on type and height-adjustable from 43.5 mm ... 59.5 mm in 249-116 and 249-117 end stops, for 2 WMB markers or 1 x continuous strip, 10 mm wide ● gray 249-118 100 (4x25)		Carrier-end element, height-adjustable ● gray 709-119 50 (2x25)	
snap-on type and height-adjustable from 42.2 mm ... 58.2 mm in 249-116 and 249-117 end stops, with marker surface, 6 mm wide ○ white 249-120 50 (2x25)			
snap-on type and height-adjustable from 45 mm ... 61 mm in 249-116 and 249-117 end stops, for 2 WMB markers or 1 x TOPJOB®S marking strips, 12.2 mm wide ● gray 2009-163 50 (2x25)		Item-Specific Accessories	
		Marking strip carrier, folded, 1 m long, 16 mm wide, 1.7 mm thick transparent 709-120 1	
		Marking card, with 14 marking strips, DIN A4 plain 709-193 1	

This system can be used as an additional group marker carrier or continuous marking strip carrier for terminal strips or single-deck rail-mount terminal blocks, for example:

- 264 Series terminal strips for DIN 35 rails
- 279 ... 284 Series single-deck rail-mount terminal blocks, with a maximum height of 49 mm from the upper edge of the carrier rail (please observe conductor radius).



Dimensions in mm



Height-adjustable group marker carrier for TOPJOB®S marking strips