



リニアベアリング式・カム式ステージ

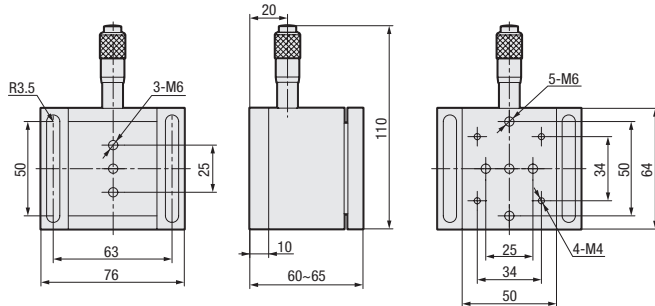
Manual Translation Stage

Linear Bearing Type-Cam Type Translation Stage

Zolix
Zolix
(Brand Code: ZLX)

TSM Series Standard Translation Stage

TSMV5-1A



M Aluminum alloy
S Black oxidation

| Type | Stroke (mm) | No. | Actuating method | Stage surface (mm) | Guide rail | Min. scale (mm) | Load (kg) | Mass (kg) |
|------|-------------|-----|-------------------|--------------------|---------------------|-----------------|-----------|-----------|
| TSMV | 5 | 1 | A (micrometer) | 64×50 | V groove guide rail | 0.01 | 10 | 0.6 |



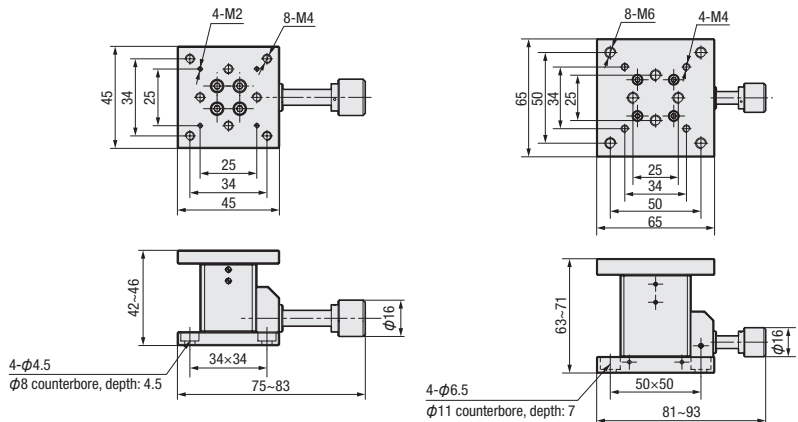
Order Sample

| | | | | |
|------|--------|---|-----|------------------|
| Type | Stroke | - | No. | Actuating method |
| TSMV | 5 | - | 1 | A |

PSM Series Precise Manual Translation Stage

PSMV4-45C

PSMV8-65C



M Aluminum alloy
S Black oxidation

| Type | Stroke (mm) | Stage surface (mm) | Actuating method | Guide rail | Resolution (mm) | Center load (kg) | Mass (kg) |
|------|-------------|--------------------|------------------|-------------|-----------------|------------------|-----------|
| PSMV | 4 | 45C (45×45) | Feed screw | Linear ball | 0.003 | 3 | 0.3 |
| | 8 | 65C (65×65) | | | | 5 | 0.5 |



Order Sample

| | | | |
|------|--------|---|---------------|
| Type | Stroke | - | Stage surface |
| PSMV | 4 | - | 65C |