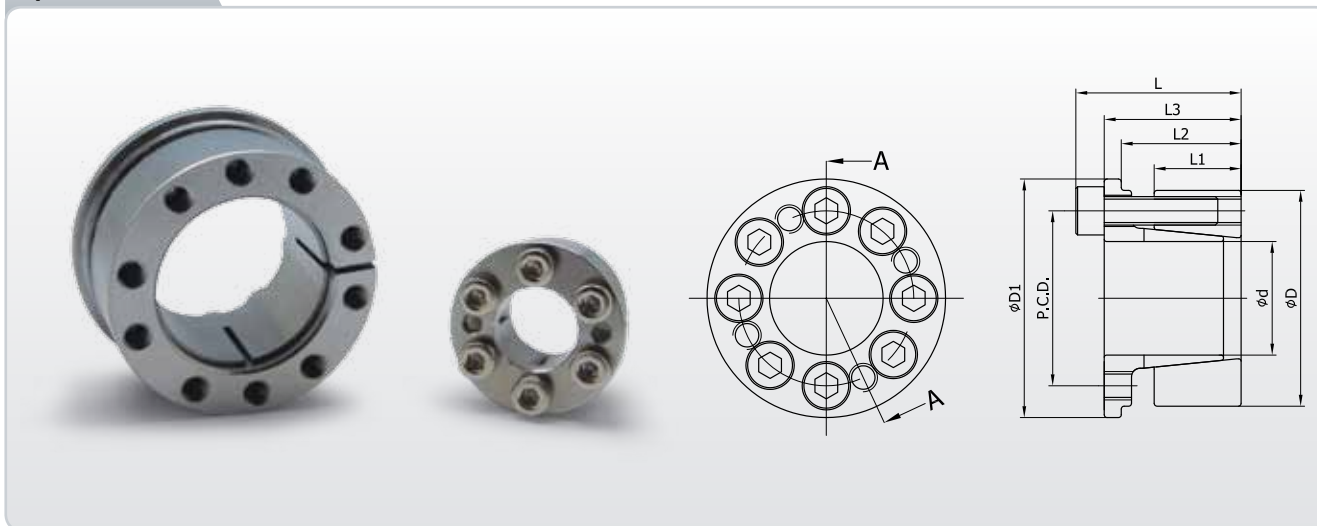


# SAPL-AS

## Sungil Accurate & Powerful Locking Device

Please, download CAD DATA from [www.sungilfa.com](http://www.sungilfa.com)

### Specifications



Model d x D	Dimension (mm)						Max. Allowable Torque (Tc) [N·m]	Allowable Thrust Load (Pt) [kN]	Surface Pressure [N/mm <sup>2</sup> ]		Locking Bolt			Mass [g]
	L <sub>1</sub>	L <sub>2</sub>	L <sub>3</sub>	L	D <sub>1</sub>	P.C.D.			Shaft (Pi)	Hub (Po)	Size	Number	Tightening Torque[N · m]	
SAPL-AS-5 x 16	8.0	11.2	13.0	16.0	18.5	11.7	2.8	1.1	204	42	M3x12	4	1.9	18
SAPL-AS-6 x 19	9.0	12.3	14.3	18.3	21.5	14.0	7.8	2.5	260	58	M4x12	4	3.9	26
SAPL-AS-8 x 21	9.3	12.6	14.6	18.6	23.5	15.4	10.7	2.6	196	62.6	M4x12	4	2.7	35
SAPL-AS-10 x 23	9.5	12.8	14.8	18.8	25.5	17.5	12.7	2.6	153	55.9	M4x12	4	2.7	40
SAPL-AS-11 x 24	9.5	13.8	15.8	19.8	26.5	18.5	14.7	2.6	139	53.6	M4x12	4	2.7	45
SAPL-AS-12 x 26	10.5	15.5	18.0	22.0	28.5	20.2	24.5	4.0	191	67.1	M4x15	6	2.7	53
SAPL-AS-14 x 28	10.5	15.5	18.0	22.0	30.5	22.2	28.4	4.0	164	62.3	M4x15	6	2.7	61
SAPL-AS-15 x 29	11.5	16.5	19.0	23.0	31.5	23.2	30.4	4.0	136	55	M4x15	6	2.7	66
SAPL-AS-16 x 30	12.0	17.1	19.6	23.6	33.0	24.2	32.3	4.0	121	50.9	M4x15	6	2.7	75
SAPL-AS-17 x 31	12.5	17.6	20.1	24.1	33.5	25.4	46.1	5.4	144	63.1	M4x15	8	2.7	75
SAPL-AS-18 x 32	12.5	17.6	20.1	24.1	34.5	26.4	49	5.4	136	61.2	M4x15	8	2.7	80
SAPL-AS-19 x 33	12.5	17.6	20.1	24.1	35.5	27.4	51.9	5.4	129	59.2	M4x15	8	2.7	81
SAPL-AS-20 x 38	15.3	21.1	24.1	29.1	42.0	30.8	121.6	12.2	165	69.8	M5x18	8	5.6	144
SAPL-AS-22 x 40	15.3	21.1	24.1	29.1	44.0	32.8	133.4	12.1	150	66.3	M5x18	8	5.6	165
SAPL-AS-24 x 42	16.3	22.1	25.1	30.1	46.0	34.8	146.1	12.2	128	59.2	M5x18	8	5.6	180
SAPL-AS-25 x 43	17.3	23.1	26.1	31.1	47.0	35.8	153	12.2	122	54.5	M5x18	8	5.6	188
SAPL-AS-28 x 46	17.3	23.1	26.6	31.6	50.0	38.8	213.8	15.2	136	63.7	M5x18	10	5.6	195
SAPL-AS-30 x 48	17.3	23.1	26.6	31.6	52.0	40.8	229.5	15.3	127	61.1	M5x18	10	5.6	208
SAPL-AS-32 x 50	18.3	24.1	27.6	32.6	54.0	42.8	244.2	15.2	110	55.4	M5x18	10	5.6	219
SAPL-AS-35 x 57	19.5	26.0	30.0	36.0	62.0	48.4	301.1	17.2	107	51.4	M6x20	8	9.6	325
SAPL-AS-38 x 60	20.0	26.5	30.5	36.5	65.0	51.4	403	21.5	119	59.5	M6x20	10	9.6	362
SAPL-AS-40 x 62	20.5	27.0	31.0	37.0	67.0	53.4	430.6	21.5	110	56.2	M6x20	10	9.6	380

※ Pt(allowable thrust) indicates value when torque is 0, Tc(max allowable torque) indicates value when thrust load is 0. When thrust and torque are combined, use the equation given in design and install manual

※For the best performance, you must remove rust, dust etc. on shaft, hub, inner side of body and cover's outer surface