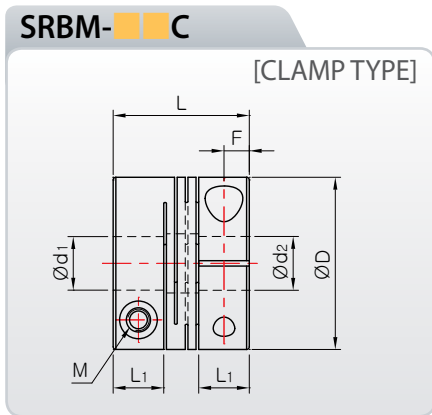
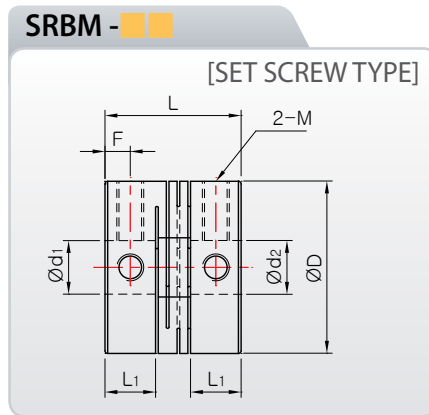


# SRB Series Radial Beam Flexible Coupling

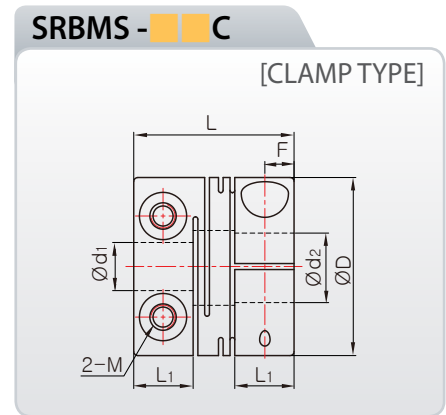
Please, download CAD DATA from [www.sungilfa.com](http://www.sungilfa.com)



※ Material : High strength aluminum alloy (Al 7075-T6)



※ Material : High strength aluminum alloy (Al 7075-T6)



※ Material : Stainless steel

## Dimensions & Performance

Product Number	Dimension (mm) (±0.3)				Fastening Bolt M	Fastening Torque (N·m)	Max·RPM (min <sup>-1</sup> )	Max Torque (N·m)	Rated Torque (N·m)	Torsional Stiffness (N·m/rad)	Moment of Inertia (kg·m <sup>2</sup> )	Mass (g)	Permissible Misalignment		
	D	L	L <sub>1</sub>	F									Angle (°)	Parallel (mm)	End-Play (mm)
SRBM-12C	12.7	14	5	2.5	M2	0.5	35,000	0.4	0.2	60	7.88×10 <sup>-8</sup>	3.2	1	0	±0.15
SRBM-16C	16	16	6	2.95	M2.6	1	27,000	0.8	0.4	130	2.3×10 <sup>-7</sup>	6.3	1	0	±0.15
SRBM-19C	19.1	17	6.31	3.1	M2.6	1	20,000	1.2	0.6	160	5.0×10 <sup>-7</sup>	9.2	1	0	±0.15
SRBM-22C	22.2	20	7.4	3.65	M3	1.7	18,000	2.0	1.0	180	1.1×10 <sup>-6</sup>	15	1	0	±0.15
SRBM-26C	26.2	23	8.4	4.1	M3	1.7	17,000	4.0	2.0	480	2.5×10 <sup>-6</sup>	25	1	0	±0.15
SRBM-32C	31.8	30	11	5.4	M4	3.5	14,000	7.6	3.8	780	6.84×10 <sup>-6</sup>	44	1	0	±0.15
SRBMS-12C	12.7	14	5	2.5	M2	0.5	20,000	0.6	0.3	120	2.4×10 <sup>-7</sup>	10	1	0	±0.15
SRBMS-16C	16	16	6	2.95	M2.6	1	20,000	1.0	0.5	240	7.0×10 <sup>-7</sup>	20	1	0	±0.15
SRBMS-19C	19.1	17	6.31	3.1	M2.6	1	19,000	1.8	0.9	300	1.5×10 <sup>-6</sup>	32	1	0	±0.15
SRBMS-22C	22.2	20	7.4	3.65	M3	1.5	17,000	3.2	1.6	350	3.1×10 <sup>-6</sup>	42	1	0	±0.15
SRBMS-26C	26.2	23	8.4	4.1	M3	1.5	15,000	4.2	2.1	720	7.2×10 <sup>-6</sup>	70	1	0	±0.15
SRBMS-32C	31.8	30	11	5.4	M4	2.5	10,000	7.6	3.8	1,300	2.0×10 <sup>-5</sup>	140	1	0	±0.15
SRBM-12	12.7	13	4.5	2.2	M2.5	0.5	40,000	0.4	0.2	60	7.89×10 <sup>-8</sup>	3.2	1	0	±0.15
SRBM-16	16	14	5.0	2.4	M3	0.7	30,000	0.8	0.4	130	2.15×10 <sup>-7</sup>	5.8	1	0	±0.15
SRBM-19	19.1	17	6.31	3.1	M3	0.7	24,000	1.2	0.6	160	5.34×10 <sup>-7</sup>	10	1	0	±0.15
SRBM-22	22.2	19	6.9	3.3	M4	1.7	20,000	2.0	1.0	180	1.1×10 <sup>-6</sup>	14	1	0	±0.15
SRBM-26	26.2	22	7.9	3.8	M4	1.7	18,000	4.0	2.0	480	2.5×10 <sup>-6</sup>	25	1	0	±0.15
SRBM-32	31.8	29	10.5	5.1	M5	4	16,000	7.6	3.8	780	6.94×10 <sup>-6</sup>	44.9	1	0	±0.15

\* Mass and mass moment of inertia are measured with max. bore size

## Standard Inner diameter

Product Number	Standard Inner Diameter(d <sub>1</sub> , d <sub>2</sub> , unit:mm)												
	Ø2	Ø3	Ø4	Ø5	Ø6	Ø6.35	Ø8	Ø9.525	Ø10	Ø11	Ø12	Ø14	Ø15
SRBM(S)-12□		●	●	●									
SRBM(S)-16□		●	●	●	●								
SRBM(S)-19□			●	●	●	●	●						
SRBM(S)-22□				●	●	●	●	●	●				
SRBM(S)-26□				●	●	●	●	●	●	●	●		
SRBM(S)-32□					●	●	●	●	●	●	●	●	●

■ For the inner diameter, INCH type is available  
■ The recommendation for shaft tolerance is h7.

■ Nonstandard inner diameter is also available

■ Keyway is available