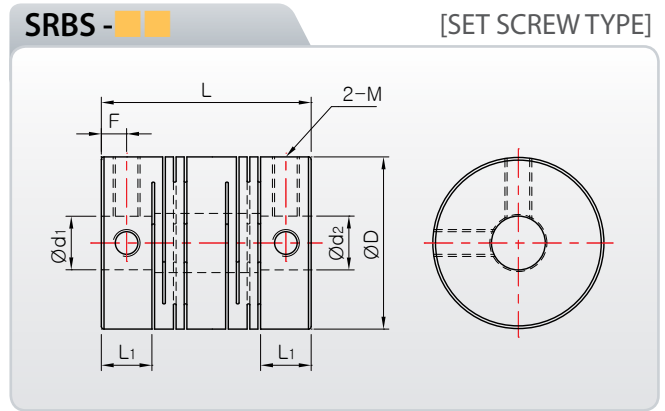
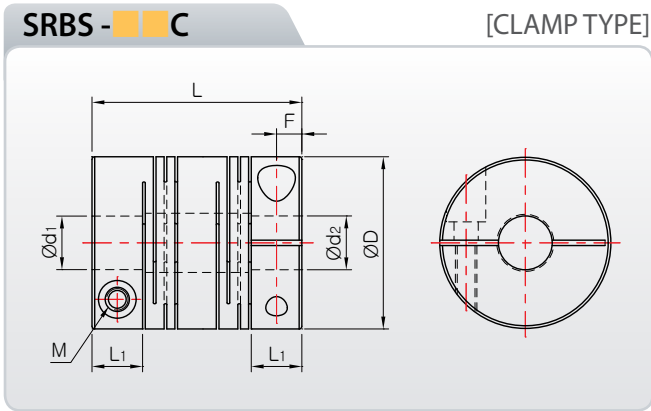


SRB Series

Radial Beam Flexible Coupling



Dimensions & Performance

※ Material : Stainless Steel

Product Number	Dimension (mm) (±0.3)				Fastening Bolt M	Fastening Torque (N·m)	Max·RPM (min ⁻¹)	Max Torque (N·m)	Rated Torque (N·m)	Torsional Stiffness (N·m/rad)	Moment of Inertia (kg·m ²)	Mass (g)	Permissible Misalignment		
	D	L	L ₁	F									Angle (°)	Parallel (mm)	End-Play (mm)
SRBS-12C	12.7	19	5	2.5	M2	0.5	32,000	0.6	0.3	65	3.0 × 10 ⁻⁷	13	2.5	0.1	±0.3
SRBS-16C	16	21.5	6.05	3	M2.6	1	25,000	1	0.5	85	9.0 × 10 ⁻⁷	26	2.5	0.15	±0.3
SRBS-19C	19.1	23	6.16	3.05	M2.6	1	18,000	1.8	0.9	230	1.7 × 10 ⁻⁶	32	2.5	0.15	±0.3
SRBS-22C	22.2	26.5	7.15	3.55	M3	1.5	15,000	3.2	1.6	290	3.8 × 10 ⁻⁶	43	2.5	0.15	±0.4
SRBS-26C	26.2	31.5	7.48	3.7	M3	1.5	14,000	4.2	2.1	350	8.6 × 10 ⁻⁶	84	2.5	0.2	±0.4
SRBS-32C	31.8	39	9.4	4.65	M4	2.5	12,000	7.6	3.8	840	2.5 × 10 ⁻⁵	160	2.5	0.2	±0.4
SRBAS-39C	39	43	10.74	5.3	M5	4	9,000	16	8	1,200	6.1 × 10 ⁻⁵	280	2.5	0.25	±0.4
SRBBS-39C	39	56	12.04	5.45	M5	4	9,000	16	8	1,000	8.6 × 10 ⁻⁵	360	2.5	0.25	±0.4
SRBAS-49C	49	63.5	15.05	7.5	M6	8	7,000	32	16	1,600	2.7 × 10 ⁻⁴	672	2.5	0.25	±0.5
SRBBS-49C	49	70	14.5	7.2	M6	8	7,000	32	16	1,400	2.8 × 10 ⁻⁴	740	2.5	0.25	±0.5
SRBAS-60C	60	76.2	19	9.35	M8	16	5,000	60	30	2,000	7.2 × 10 ⁻⁴	1,150	2.5	0.25	±0.5
SRBBS-60C	60	88	19	9.35	M8	16	5,000	60	30	1,800	8.6 × 10 ⁻⁴	1,370	2.5	0.25	±0.5
SRBS-12	12.7	18	4.5	2.15	M2.5	0.5	34,000	0.6	0.3	65	3.0 × 10 ⁻⁷	12.4	2.5	0.1	±0.3
SRBS-16	16	18.5	4.7	2.3	M3	0.7	27,000	1	0.5	85	7.7 × 10 ⁻⁷	21	2.5	0.15	±0.3
SRBS-19	19.1	22	5.94	2.9	M3	0.7	20,000	1.8	0.9	230	1.8 × 10 ⁻⁶	34	2.5	0.15	±0.3
SRBS-22	22.2	25	6.5	3.2	M4	1.5	17,000	3.2	1.6	290	3.8 × 10 ⁻⁶	49.5	2.5	0.15	±0.4
SRBS-26	26.2	30	7.73	3.4	M4	1.5	16,000	4.2	2.1	350	8.8 × 10 ⁻⁶	84	2.5	0.2	±0.4
SRBS-32	31.8	39	9.4	4.7	M5	2	14,000	7.6	3.8	840	2.7 × 10 ⁻⁵	160	2.5	0.2	±0.4
SRBS-39	39	56	16.04	5.9	M5	2	10,000	16	8	1,000	8.8 × 10 ⁻⁵	388	2.5	0.25	±0.4
SRBS-49	49	70	19.75	9.4	M6	4	7,000	32	16	1,400	2.8 × 10 ⁻⁴	775	2.5	0.25	±0.5
SRBS-60	60	88	19	9	M8	8	6,000	60	30	1,800	7.6 × 10 ⁻⁴	1,416	2.5	0.3	±0.5

* SRB-60 Series 납기는 당사로 문의 바랍니다. * 질량 및 관성모멘트는 최대 내경을 기준으로 산정되었습니다.

Standard Inner diameter

Product Number	Standard Inner Diameter(d ₁ , d ₂ , unit:mm)							
SRBS-12□	3×3	3×4	4×4	4×5	4.5×5	5×5		
SRBS-16□	3×3	4×4	4×5	4×6	4.5×5	4.5×6	5×5	5×6
	6×6							
SRBS-19□	4×4	4×5	5×5	5×6	5×8	6×6	6×6.35	6×8
	6.35×8	8×8						
SRBS-22□	5×5	5×6	6×6	6×6.35	6×8	6×10	6.35×8	6.35×10
	8×8	8×9.525	8×10	10×10				
SRBS-26□	5×5	6×6	6×6.35	6×8	6×10	6.35×8	6.35×10	8×8
	8×9.525	8×10	10×10	10×12	12×12			
SRBS-32□	6×6	6×8	6×10	6.35×8	8×8	8×9.525	8×10	8×12
	10×10	10×12	10×14	12×12	12×14	14×14	15×15	
SRBS-39□	8×8	10×10	10×12	10×14	12×12	14×14	15×15	16×16
SRBS-49□	12×14	14×14	14×16	15×15	16×16	18×18	20×20	
SRBS-60□	15×15	16×16	18×18	20×20	22×22	24×24	25×25	