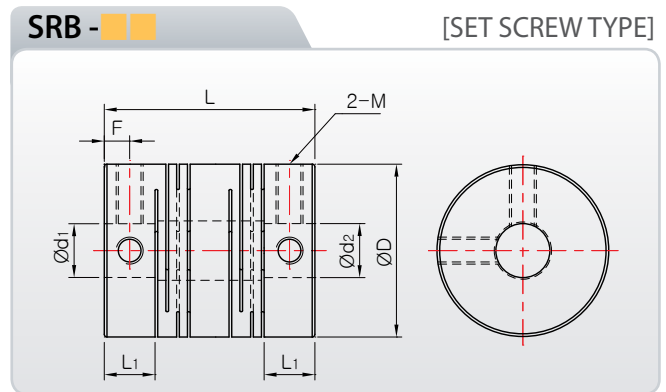
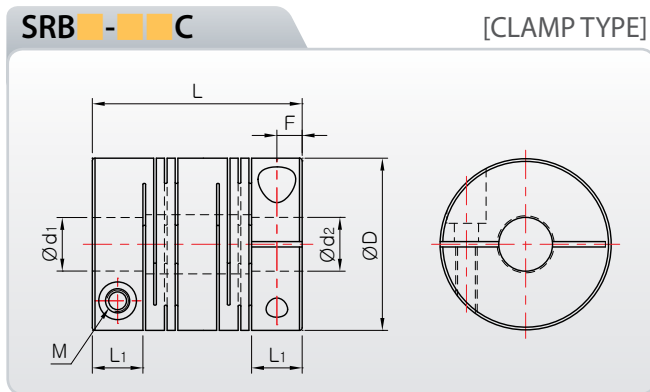


SRB Series Radial Beam Flexible Coupling

Please, download CAD DATA from www.sungilfa.com



Dimensions & Performance

※ Material : High strength aluminum alloy (Al 7075-T6)

Product Number	Dimension (mm) (±0.3)				Fastening Bolt M	Fastening Torque (N·m)	Max-RPM (min-1)	Max Torque (N·m)	Rated Torque (N·m)	Torsional Stiffness (N·m/rad)	Moment of Inertia (kg·m ²)	Mass (g)	Permissible Misalignment		
	D	L	L ₁	F									Angle (°)	Parallel (mm)	End-Play (mm)
SRB-12C	12.7	19	5	2.5	M2	0.5	35,000	0.4	0.2	40	1.05 × 10 ⁻⁷	4.4	2.5	0.1	±0.3
SRB-16C	16	21.5	6.05	3	M2.6	1	27,000	0.8	0.4	75	3.1 × 10 ⁻⁷	8.2	2.5	0.15	±0.3
SRB-19C	19.1	23	6.16	3.05	M2.6	1	20,000	1.2	0.6	150	6.4 × 10 ⁻⁷	12	2.5	0.15	±0.3
SRB-22C	22.2	26.5	7.15	3.55	M3	1.7	18,000	2.0	1.0	200	1.4 × 10 ⁻⁶	17.9	2.5	0.15	±0.4
SRB-26C	26.2	31.5	7.48	3.7	M3	1.7	17,000	4	2	340	3.16 × 10 ⁻⁶	29.9	2.5	0.2	±0.4
SRBA-32C	31.8	39	9.4	4.65	M4	3.5	14,000	7.6	3.8	450	8.61 × 10 ⁻⁶	54.9	2.5	0.2	±0.4
SRBB-32C	31.8	44	9.4	4.65	M4	3.5	14,000	7.6	3.8	450	1.0 × 10 ⁻⁵	62.3	2.5	0.2	±0.4
SRBA-39C	39	43	10.74	5.3	M5	8	10,000	14	7	640	2.1 × 10 ⁻⁵	87.8	2.5	0.25	±0.4
SRBB-39C	39	56	12.04	5.45	M5	8	10,000	14	7	640	2.79 × 10 ⁻⁵	117	2.5	0.25	±0.4
SRBA-49C	49	63.5	15.05	7.5	M6	13	10,000	30	15	1,500	8.35 × 10 ⁻⁵	236	2.5	0.25	±0.5
SRBB-49C	49	70	14.5	7.2	M6	13	8,400	30	15	1,500	1.0 × 10 ⁻⁴	258	2.5	0.25	±0.5
SRBA-60C	60	76.2	19	9.35	M8	30	7,000	60	30	2,500	2.17 × 10 ⁻⁴	407	2.5	0.25	±0.5
SRBB-60C	60	88	19	9.35	M8	30	7,000	60	30	2,500	2.58 × 10 ⁻⁴	483	2.5	0.25	±0.5
new SRB-8	7.9	14	3.5	1.7	M2	0.3	50,000	0.2	0.1	16	1.2 × 10 ⁻⁸	1.5	2.5	0.1	±0.2
SRB-12	12.7	18	4.5	2.15	M2.5	0.5	40,000	0.4	0.2	40	1.04 × 10 ⁻⁷	4.4	2.5	0.1	±0.3
SRB-16	16	18.5	4.7	2.3	M3	0.7	30,000	0.8	0.4	75	2.8 × 10 ⁻⁷	7.2	2.5	0.15	±0.3
SRB-19	19.1	22	5.96	2.9	M3	0.7	24,000	1.2	0.6	150	6.4 × 10 ⁻⁷	12	2.5	0.15	±0.3
SRB-22	22.2	25	6.5	3.2	M4	1.7	20,000	2.0	1.0	200	1.4 × 10 ⁻⁶	17.4	2.5	0.15	±0.4
SRB-26	26.2	30	7.73	3.4	M4	1.7	18,000	4	2	340	3.1 × 10 ⁻⁶	29.2	2.5	0.2	±0.4
SRB-32	31.8	39	9.4	4.7	M5	4	18,000	7.6	3.8	450	9.4 × 10 ⁻⁶	56.8	2.5	0.2	±0.4
SRB-39	39	56	16.04	5.9	M5	4	12,000	14	7	640	2.8 × 10 ⁻⁵	124	2.5	0.25	±0.4
SRB-49	49	70	19.75	9.4	M6	7	10,000	30	15	1,500	1.0 × 10 ⁻⁴	280	2.5	0.25	±0.5
SRB-60	60	88	19	9	M8	15	8,500	60	30	2,500	2.67 × 10 ⁻⁴	500	2.5	0.3	±0.5

* Mass and mass moment of inertia are measured with max. bore size ※ One(1) locking bolt is included in SRB-8 products.

Standard Inner diameter

Product Number	Standard Inner Diameter(d ₁ , d ₂ , unit:mm)																			
	Ø2	Ø3	Ø4	Ø5	Ø6	Ø6.35	Ø8	Ø9.525	Ø10	Ø11	Ø12	Ø14	Ø15	Ø16	Ø18	Ø19	Ø20	Ø22	Ø24	Ø25
SRB-8 □	●	●																		
SRB-12 □		●	●	●																
SRB-16 □		●	●	●	●															
SRB-19 □			●	●	●	●	●													
SRB-22 □				●	●	●	●	●	●											
SRB-26 □				●	●	●	●	●	●	●										
SRB □ -32 □							●	●	●	●	●	●								
SRB □ -39 □								●	●	●	●	●	●	●	●	●				
SRB □ -49 □									●	●	●	●	●	●	●	●	●	●		
SRB □ -60 □										●	●	●	●	●	●	●	●	●	●	●

- For the inner diameter, INCH type is available
- Nonstandard inner diameter is also available
- Keyway is available
- The recommendation for shaft tolerance is h7.