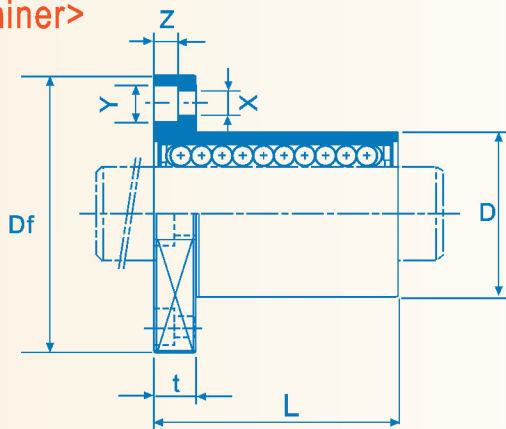


LMK <Built-in Synthetic Resin Retainer>



This type is a metric dimension series widely used in Japan and other countries



Nominal Part No.				Major Dimensions and Tolerance (mm)		
Standard Type	Seal Type	Ball Circuit	Weight g	dr Tolerance	D Tolerance	L Tolerance
LMK 6	LMK 6 UU	4	18	6	12	19
LMK 8S	LMK 8S UU	4	24	8	15	17
LMK 8	LMK 8 UU	4	29	8	15	24
LMK 10	LMK 10 UU	4	52	10	19	29
LMK 12	LMK 12 UU	4	57	12	21	30
LMK 13	LMK 13 UU	4	72	13	23	32
LMK 16	LMK 16 UU	5	104	16	28	37
LMK 20	LMK 20 UU	5	145	20	32	42 ±0.3
LMK 25	LMK 25 UU	6	300	25	40	59
LMK 30	LMK 30 UU	6	375	30	45	64
LMK 35	LMK 35 UU	6	560	35	52	70
LMK 40	LMK 40 UU	6	880	40	60	80
LMK 50	LMK 50 UU	6	2000	50	80	100
LMK 60	LMK 60 UU	6	2560	60	90	110