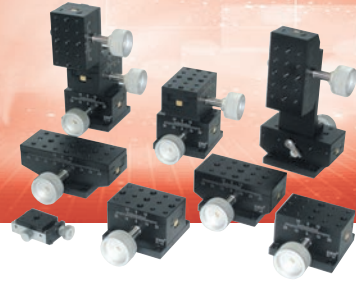


Manual Stage / Aluminum

XYZ-Dovetail Rack & Pinion Stage

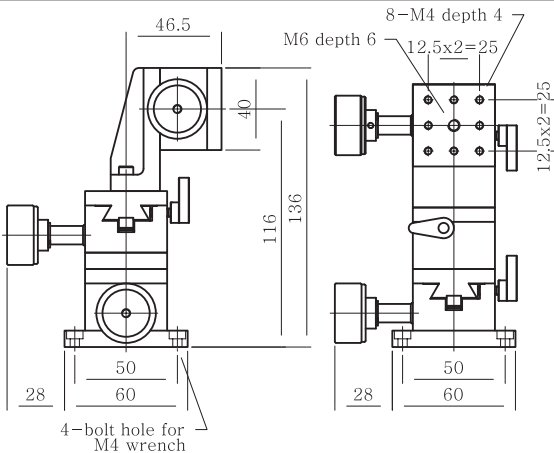


Spec

※ This drawing could be changed in order to improve the product without any notice.

| Model No | D3-44 | D3-46 | D3-48 | D3-410 | D3-412 | D3-414 |
|----------------------|------------------------------------|-------|-------|--------|--------|--------|
| Knob Position | Center | | | | | |
| Stage Surface (mm) | 40×40 | 40×60 | 40×80 | 40×100 | 40×120 | 40×140 |
| Stroke (mm) | ±10 | ±20 | ±30 | ±40 | ±50 | ±60 |
| Resolution (mm) | 0.1 / Vernier | | | | | |
| Parallelism (mm) | 0.06 | | | | | |
| Straightness (mm) | 0.03 | | | | | |
| Travel Guide | Surface to Surface / Rack & Pinion | | | | | |
| Material | Aluminum | | | | | |
| Load Capacity (kg/f) | 1.5 | 2.5 | 2.5 | 2.5 | 2.5 | 2.5 |
| Weight (kg) | 0.85 | 1.12 | 1.31 | 1.47 | 1.53 | 1.7 |

D3-44



D3-46

