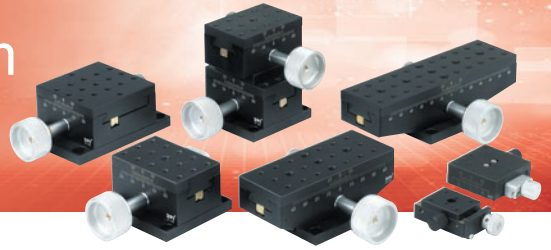


Manual Stage / Aluminum

X-Dovetail Rack & Pinion Stage

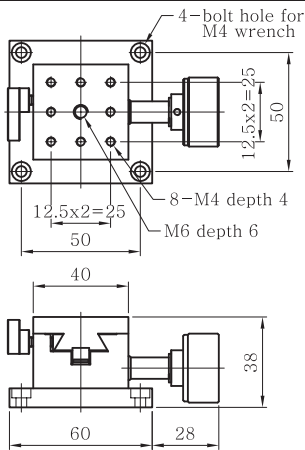


Spec

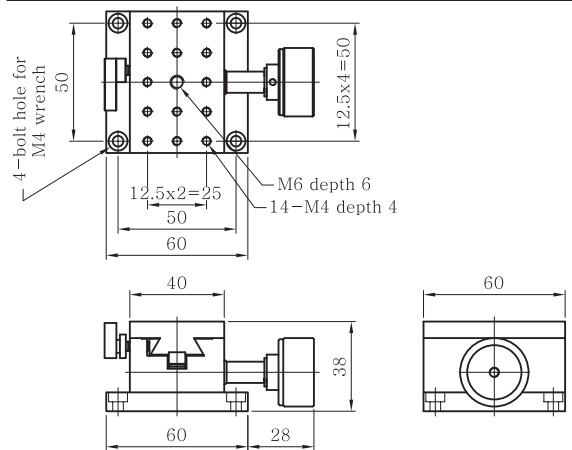
※ This drawing could be changed in order to improve the product without any notice.

Model No	D1-44	D1-46	D1-66	D1-48	D1-410	D1-412	D1-414
Knob Position	Center						
Stage Surface (mm)	40×40	40×60	60×60	40×80	40×100	40×120	40×140
Stroke (mm)	±10	±20	±20	±30	±40	±50	±60
Resolution (mm)	0.1mm / Vernier						
Parallelism (mm)	0.06						
Straightness (mm)	0.03						
Travel Guide	Surface to Surface / Rack & Pinion						
Material	Aluminum						
Load Capacity (kg/f)	3	4	4	4	4	4	4
Weight (kg)	0.25	0.31	0.45	0.4	0.47	0.49	0.52

D1-44



D1-46



D1-66

