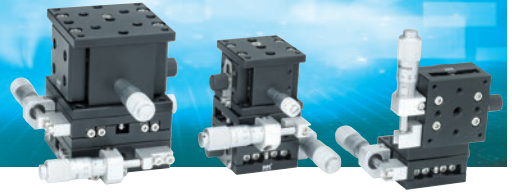


Manual Stage / Aluminum

XYZ-Crossroller Guide 25



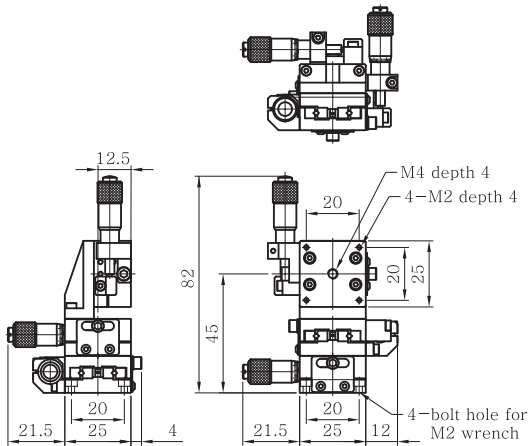
Spec

※ This drawing could be changed in order to improve the product without any notice.

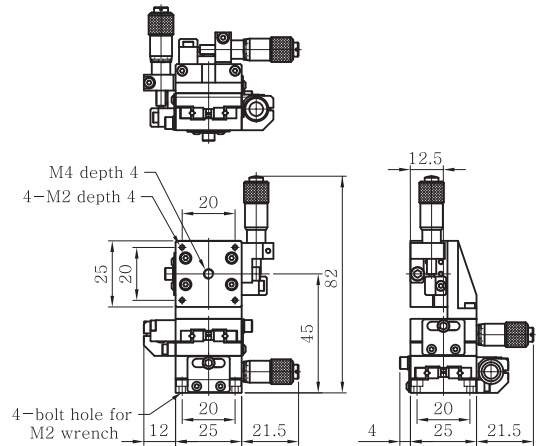
Model No	S3V-25L	S3V-25R	S3V-25C
Microhead Position	Left	Right	Center
Stage Surface (mm)	25 × 25		
Stroke (mm)	±3		
Resolution (mm)	10um / division(0.01)		
Parallelism (mm)	0.03		
Running Parallelism (mm)	0.01		
Straightness (mm)	0.003		
Travel Guide	Crossed Roller Bearing		
Material	Aluminum		
Load Capacity (kg/f)	0.5		
Weight (kg)	0.14		

ALUMINUM STAGE

S3V-25L



S3V-25R



S3V-25C

