

連球軸承 / LINK BALL BEARING

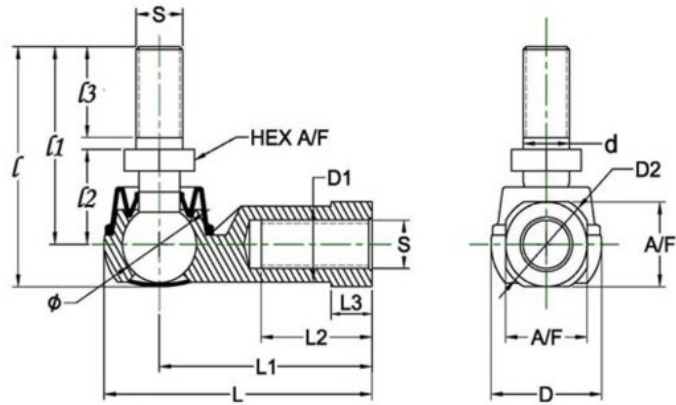
BL Series

材質

- 主體：高強度鋅合金
- 活動柄：碳鋼，表面鍍鋅 (Cr3+)
- 防塵套：特殊合成橡膠，NBR

MATERIALS

- **BODY**: High Strength Zinc Alloy
- **BALL STUD**: Carbon Steel, Zinc Coated (Cr3+)
- **BOOT**: Special Synthetic Rubber, NBR



■ 間隙 (mm)

徑向間隙值：0.02~0.06
軸向間隙值：小於0.3

■ Clearance (Unit: mm)

Radial Clearance:0.02~0.06
Axial Clearance:0.3 or less

公制尺寸 / DIMENSIONS IN METRIC mm

型號 Model No.	外型尺寸 Outline Dimensions			螺紋 Thread	主體尺寸 Body Dimensions						活動柄尺寸 Ball Stud Dimensions					旋角 2θ	荷重 S. load (kgf)	重量 Weight (g)	
	L	D	ℓ		L1	L2	L3	D1	D2	A/F +0 -0.3	ℓ1	ℓ2	ℓ3 ±0.3	d -0.05	六角HEX A/F +0 -0.3				Ball Dia. Ø
BL 6 R/L	38	16	32.6	6x1.0	30	16	5	10	13	11	26	11	11	6	10	11.11	40	380	28
BL 8 R/L	45.5	19	38.6	8x1.25	36	19	6	12.5	16	14	31	14	12	8	12	12.70	40	630	48
BL 10 RF/LF	55.5	25	46.3	10x1.25	43	23	7	14.5	19	17	37	17	15	10	14	15.88	40	1090	87
BL 10 R/L	55.5	25	52.3	10x1.5	43	23	7	14.5	19	17	43	17	21	10	14	15.88	40	1090	87
BL 12 RF/LF	65.5	31	53	12x1.25	50	26	8	17.5	22	19	49	19	17	12	17	19.05	40	1400	155
BL 12 R/L	65.5	31	61.5	12x1.75	50	26	8	17.5	22	19	49	19	24	12	17	19.05	40	1400	160