

# 桿端軸承 / ROD END BEARING

## POS Series

### 嵌入組合型

特殊結構設計，鋼珠滑順，附黃油咀。

### 材質

·主體: 中碳鋼S45C，鍛造，表面鍍鋅(Cr3+)。

·鋼珠: 鉻鉬軸承鋼SUJ-2，熱處理 HRC 56<sup>±2</sup>，鍍硬鉻。

·外框: 合金銅( POS5~POS25, POS3/16~POS1" )。

·外框: 碳鋼+ 合金銅 (POS30)。

### Grease Fitting Type

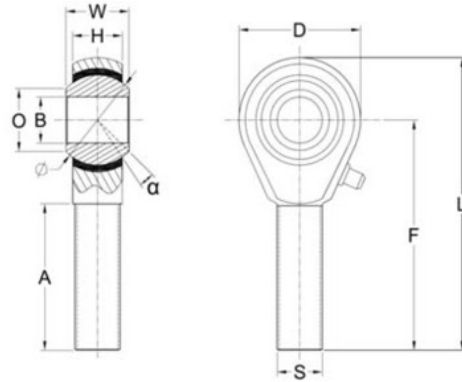
An unique race structure design. Low clearance. Performing well in durability. A grease fitting.

### MATERIALS

·BODY: Medium Carbon Steel S45C, Forged, Zinc Coated (Cr3+)

·BALL: Bearing Steel SUJ-2, Heat Treated HRC 56<sup>±2</sup>, Hard Chrome Plated

·RACE: Copper Alloy (POS5~PHS25, POS3/16~POS1")



### ■ 間隙 (mm)

徑向間隙值: 小於0.035

軸向間隙值: 小於0.1

### ■ Clearance (Unit: mm)

Radial Clearance: 0.035 or less

Axial Clearance: 0.1 or less

### 公制尺寸 / DIMENSIONS IN METRIC mm

型號 Model No.	B H7	W +0 -0.1	D	L	O	H +/- 0.1	A +2 -0	F	Thread S	旋角 α	球徑 Ball Dia. Ø	徑向荷重 Radial S. load (kgf)	重量 Weight (g)
POS 5 R/L	5	8	17	43.5	7.7	6	22	35	5x0.8	13	11.11	340	14
POS 6 R/L	6	9	19	47.5	8.9	6.7	24	38	6x1.0	13	12.70	480	21
POS 8 RF/LF POS 8 R/L	8	12	23.5	55.5	10.4	9	26	44	8x1.0 8x1.25	13	15.88	680	41
POS 10 RF/LF POS 10 R/L	10	14	27	63.5	12.9	10.5	30	50	10x1.25 10x1.5	13	19.05	1070	65
POS 12 RF/LF POS 12 R/L	12	16	32	72	15.4	12	35	56	12x1.25 12x1.75	13	22.23	1650	100
POS 14 RF/LF POS 14 R/L	14	19	36	81	16.8	14	37	63	14x1.5 14x2.0	15	25.40	2040	146
POS 16 RF/LF POS 16 R/L	16	21	39	91.5	19.3	15	43	72	16x1.5 16x2.0	15	28.58	2470	195
POS 18 R/L	18	23	44	97	21.8	17	46	75	18x1.5	15	31.75	2910	270
POS 20 R/L	20	25	47	104	24.3	18	48	80.5	20x1.5	15	34.93	3390	345
POS 22 R/L	22	28	50	109	25.9	20	51	84	22x1.5	15	38.10	4070	455
POS 25 R/L	25	31	56	122	29.6	22	57	94	24x2.0	15	42.85	7170	590
POS 30 R/L	30	37	68	146.5	34.8	26	66	112.5	30x2.0	15	50.80	9120	1060

### 英制尺寸 / DIMENSIONS IN INCHES

型號 Model No.	B H7	W +0 -0.004	D	L	O	H +/- 0.004	A +0.08 -0	F	Thread S	旋角 α	球徑 Ball Dia. Ø	徑向荷重 Radial S. load (Lbs)	重量 Weight (Lbs)
POS 3/16 R/L	0.1875	0.312	0.669	1.713	0.303	0.236	0.866	1.378	UNF 3/16-32	13	0.437	750	0.03
POS 1/4 R/L	0.2500	0.375	0.748	1.870	0.350	0.264	0.945	1.496	UNF 1/4-28	13	0.500	1060	0.05
POS 5/16 R/L	0.3125	0.437	0.925	2.185	0.409	0.354	1.024	1.732	UNF 5/16-24	13	0.625	1500	0.09
POS 3/8 R/L	0.3750	0.500	1.063	2.500	0.508	0.413	1.181	1.969	UNF 3/8-24	13	0.750	2360	0.14
POS 7/16 R/L	0.4375	0.500	1.063	2.500	0.508	0.413	1.181	1.969	UNF 7/16-20	13	0.750	2360	0.14
POS 1/2 R/L	0.5000	0.625	1.260	2.835	0.606	0.472	1.378	2.205	UNF 1/2-20	13	0.875	3640	0.22
POS 5/8 R/L	0.6250	0.750	1.535	3.602	0.760	0.591	1.693	2.835	UNF 5/8-18	15	1.125	5450	0.43
POS 3/4 R/L	0.7500	0.875	1.732	3.819	0.858	0.669	1.811	2.953	UNF 3/4-16	15	1.250	7470	0.60