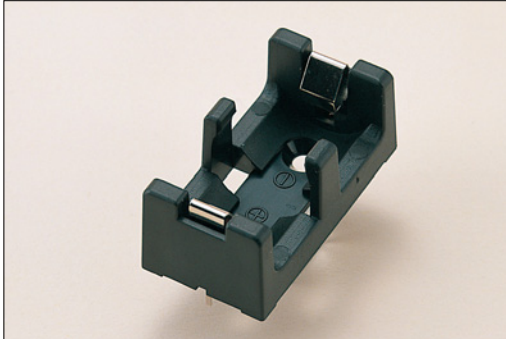


CR2·CR123A SERIES

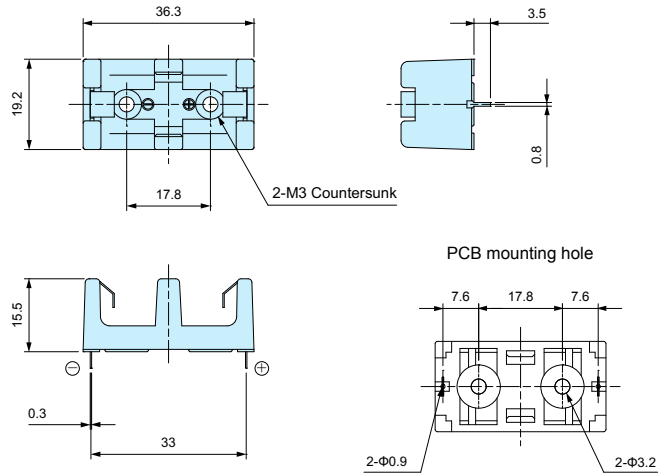
Technical data
 Operating temperature
 -10°C ~ +60°C

CR2-PC LITHIUM BATTERY HOLDER



CR2-PC dimensions

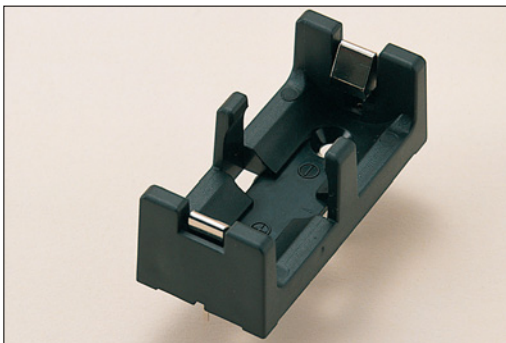
• CAD data is downloadable from our website.



Part no. / Components

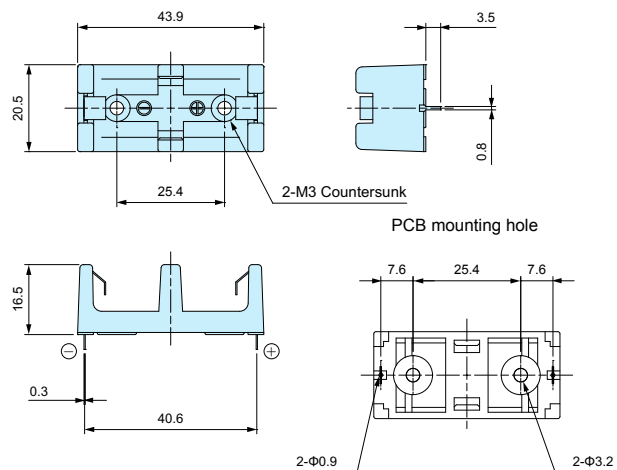
Part no.	Applicable battery	Holder	Color	Contact	Contact finish
CR2-PC	CR2 × 1	Flame-resistant ABS (UL94V-0)	Black	Phosphor bronze	Nickel plated

CR123A-PC LITHIUM BATTERY HOLDER



CR123A-PC dimensions

• CAD data is downloadable from our website.



Part no. / Components

Part no.	Applicable battery	Holder	Color	Contact	Contact finish
CR123A-PC	CR123A × 1	Flame-resistant ABS (UL94V-0)	Black	Phosphor bronze	Nickel plated