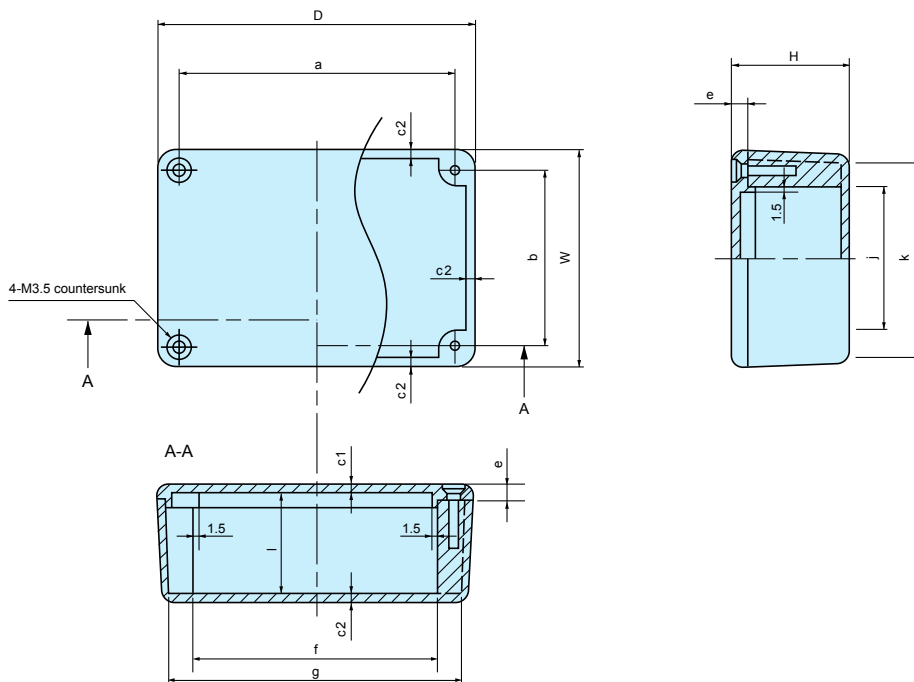


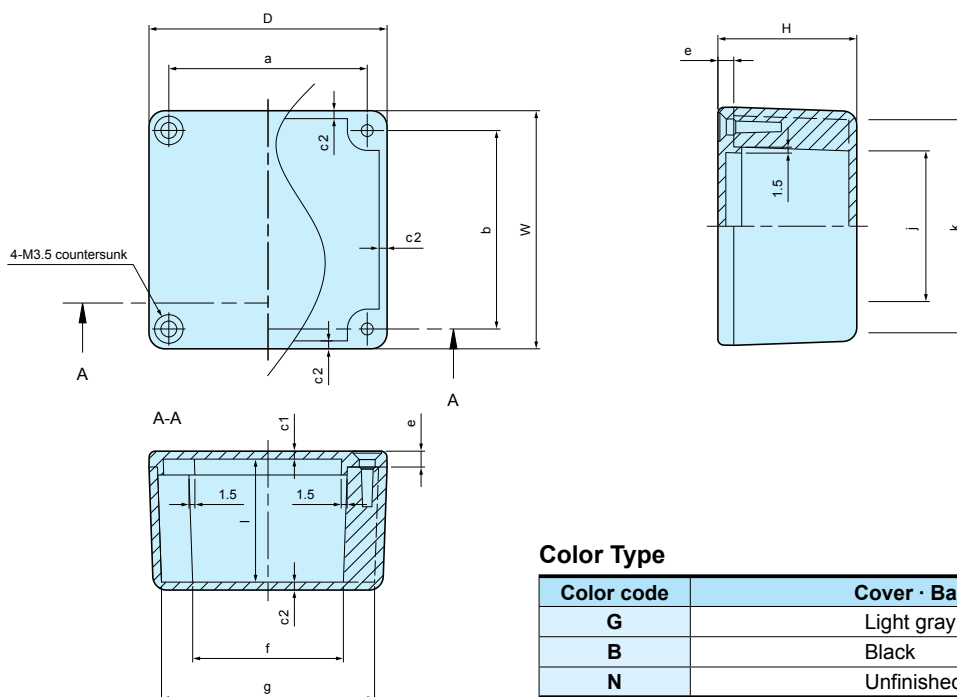
TD dimensions

• CAD data is downloadable from our website.

TD 4- 6-3
 4- 9-3
 5- 8-3
 6-11-3
 7-10-3
 8-11-5
 9-12-4
 10-13-4
 10-15-4
 12-18-5



TD 6- 6-4
 8- 8-4
 11-11-5



Color Type

Color code	Cover · Base
G	Light gray
B	Black
N	Unfinished

Part no. / Dimensions

• Please suffix color code at the end of part number □ when ordering TD series.

Part no.	W	H	D	a	b	c1	c2	e	f	g	j	k	l	Weight (g)
TD 4- 6-3□	40	27	60	50	30	2	2	4	39.5	53.5	20	33.5	23	56
TD 4- 9-3□	40.5	32	94.5	84.5	30.5	2.25	2.25	4	74.5	87	20.5	33	27.5	97
TD 5- 8-3□	55	30.5	80	70	45	2	2	4.5	58.5	72.5	33.5	47.5	26	95
TD 6- 6-4□	60	35	60	50	50	2	2	4	37	51	37	51	31	90
TD 6- 11-3□	64.5	31.8	115.5	105	54	2.25	2.25	4.25	92.5	106.5	42	55.5	27	164.5
TD 7-10-3□	70	32.5	100	90	60	2.5	2	4.5	78	92	48	62	28	135
TD 8- 8-4□	80	40	80	70	70	2	2	4	56.5	70.5	56.5	70.5	36	145
TD 8- 11-5□	86	47.5	113.5	103	75.5	2.25	2.25	4.25	89.5	103	62	75.5	43	226
TD 9-12-4□	85	35	120	110	75	2	2	4	98.5	112	63.5	77	31	185
TD10- 13-4□	95.5	37.8	130.5	120	85	2.25	2.25	4.25	107.5	121	72.5	86	33	263
TD10- 15-4□	100	40	150	140	90	2.5	2.5	4	128.5	142	78	92	35	320
TD11- 11-5□	110	45	110	100	100	2.5	2.5	4	86	99	86	99	41	280
TD12- 18-5□	120	50	180	170	110	2.5	2.5	4	156	171	97.5	110	45	455