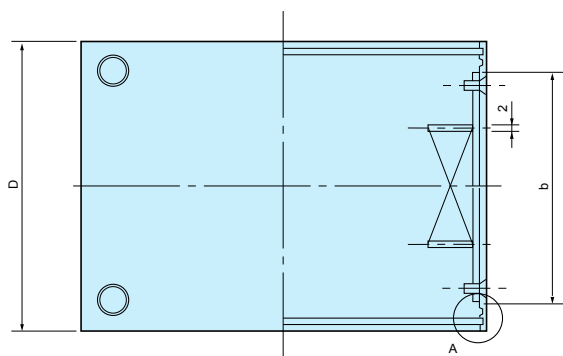
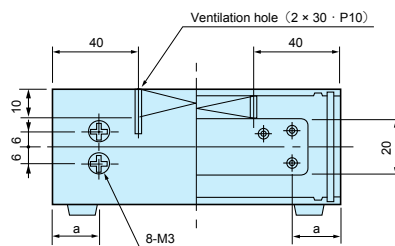
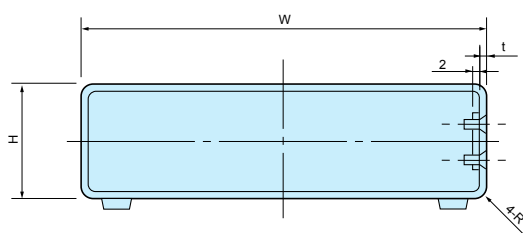


UC dimensions

• CAD data is downloadable from our website.



Color Type

Color code	Top · Bottom cover	Panel
AA	Ivory painted	Ivory painted
DD	Bronze anodized	Bronze anodized
GX	Dark gray painted	Light gray painted Dark gray painted

• GX type has mixed panel color. (1pcs of light gray, 1pcs of dark gray)

Part no. / Dimensions

• Please suffix color code at the end of part number □□ when ordering UC series.

Part no.	W	H	D	R	t	a	b	Ventilation hole	Weight (kg)
UC 6- 3- 8□□	60	35	80	5	2	16	58	—	0.12
UC 7- 3-10□□	75	30	100	5	2	16	78	—	0.16
UC 9- 5-12□□	90	50	120	7.5	2.5	18	94	—	0.29
UC10- 4-14□□	100	40	140	7.5	2.5	28	94	—	0.32
UC12- 7-16□□	120	70	160	11	3	30	110	—	0.56
UC13- 4-18□□	130	40	180	11	3	30	130	—	0.56
UC15- 8-20□□	150	80	200	11	3	30	150	○	0.86
UC16- 5-22□□	165	50	220	11	3	30	170	○	0.84
UC18-10-24□□	180	100	240	11	3	30	190	○	1.26
UC22-12-26□□	220	120	260	11	3	30	210	○	1.70
UC24-14-34□□	240	140	340	11.2	3.2	30	290	○	2.54
UC 8- 3- 6□□	80	30	60	5	2	16	38	—	0.10
UC11- 3- 8□□	110	30	80	5	2	16	58	—	0.17
UC11- 5- 8□□	110	50	80	5	2	16	58	—	0.20
UC14- 4-10□□	140	40	100	5	2	16	78	—	0.27
UC14- 6-10□□	140	60	100	5	2	16	78	—	0.31
UC15-10-12□□	150	100	120	7.5	2.5	18	94	—	0.53
UC17- 5-12□□	170	50	120	7.5	2.5	18	94	—	0.45
UC17- 7-12□□	170	70	120	7.5	2.5	18	94	—	0.51
UC20- 5-14□□	200	50	140	7.5	2.5	28	94	—	0.56
UC20- 8-14□□	200	80	140	7.5	2.5	28	94	—	0.67
UC20-12-16□□	200	120	160	11	3	30	110	—	0.82
UC26- 5-18□□	260	50	180	11	3	30	130	○	1.02
UC26-10-18□□	260	100	180	11	3	30	130	○	1.26
UC26- 7-20□□	260	70	200	11	3	30	150	○	1.23
UC32- 5-22□□	320	50	220	11	3	30	170	○	1.45
UC32-12-22□□	320	120	220	11	3	30	170	○	1.88
UC32- 8-24□□	320	80	240	11	3	30	190	○	1.76
UC35-13-26□□	350	130	260	11	3	30	210	○	2.45
UC43- 5-28□□	430	50	280	11	3	30	230	○	2.37
UC43-14-28□□	430	140	280	11	3	30	230	○	3.05
UC 7- 8-14□□	75	85	140	7.5	2.5	28	94	—	0.37
UC10-11-18□□	100	110	180	11	3	30	130	—	0.72
UC12-14-22□□	120	140	220	11	3	30	170	○	1.08
UC15-18-28□□	150	180	280	11	3	30	230	○	1.74
UC18-21-34□□	180	210	340	11.2	3.2	30	290	○	2.63