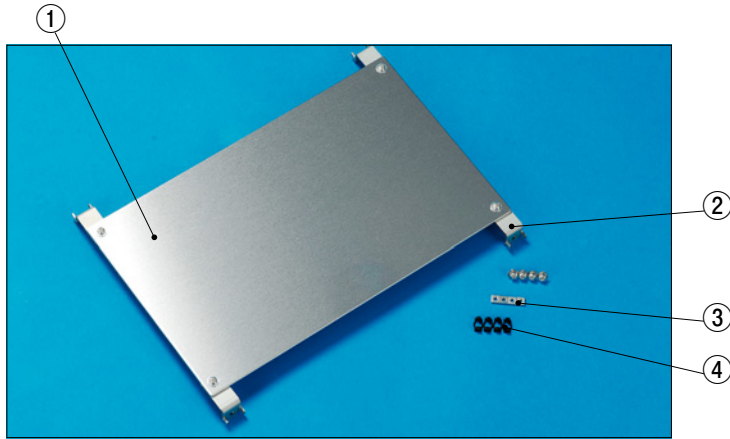


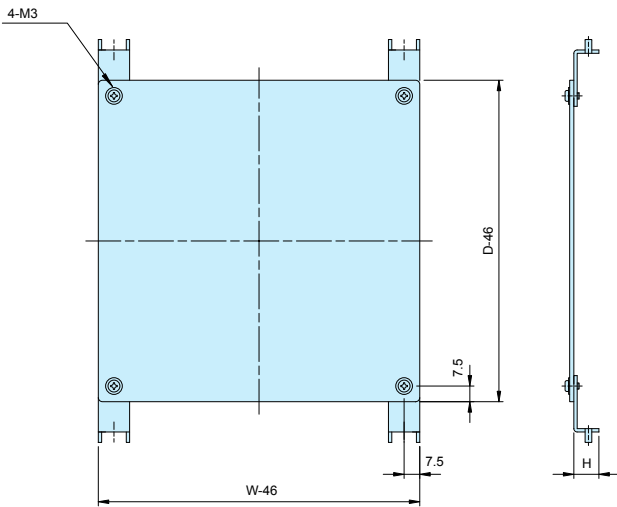
FCC·FCK SERIES

FCC MOUNTING PLATE FOR FC · FCW · FCH

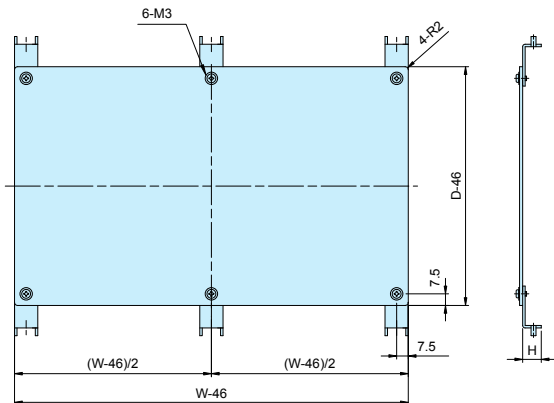


- Available 12mm, 22mm height of mounting bracket.
- Use 22mm height mounting bracket when set on the open/close panel side of FCW.
- Do not fit for FC4 (H = 37.9mm).

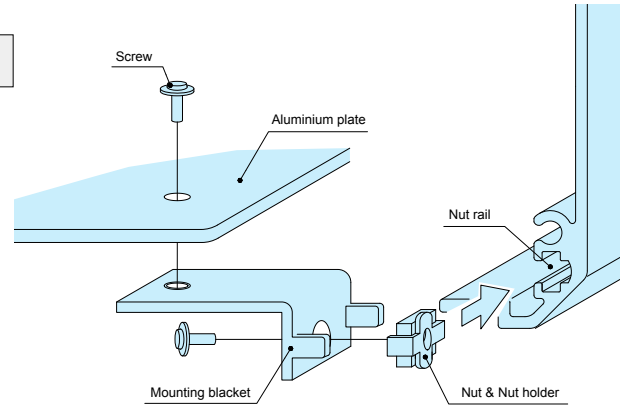
Box size 100×100mm to 350×300mm



Box size 400 · 500 · 600mm × 200 · 250 · 300mm



FC·FCW·FCH Optional parts



How to assemble

- ① Slide in M3 nut and nut holder to nut rail of frame.
- ② Screw mounting bracket.
- ③ Install plate into mounting bracket.

Components

Ref. #	Part name	Material	Color / Finish
1	Plate	Aluminium	Unfinished
2	Mounting bracket	Steel t1.6	Zinc coated
3	M3 nut	Steel t1.6	Trivalent chromate
4	Nut holder	POM	Black
-	Screw	Steel M3×6	Trivalent chromate

Part no. / Dimensions

• Include M3×6 screw × 8

Part no.	H	Box W×D / D×W	Part no.	H	Box W×D / D×W
FCC10-10-1	12	100×100	FCC10-10-2	22	100×100
FCC15-10-1	12	150×100	FCC15-10-2	22	150×100
FCC15-15-1	12	150×150	FCC15-15-2	22	150×150
FCC20-10-1	12	200×100	FCC20-10-2	22	200×100
FCC20-15-1	12	200×150	FCC20-15-2	22	200×150
FCC20-20-1	12	200×200	FCC20-20-2	22	200×200
FCC25-15-1	12	250×150	FCC25-15-2	22	250×150
FCC25-20-1	12	250×200	FCC25-20-2	22	250×200
FCC25-25-1	12	250×250	FCC25-25-2	22	250×250
FCC30-15-1	12	300×150	FCC30-15-2	22	300×150
FCC30-20-1	12	300×200	FCC30-20-2	22	300×200
FCC30-25-1	12	300×250	FCC30-25-2	22	300×250
FCC30-30-1	12	300×300	FCC30-30-2	22	300×300
FCC35-20-1	12	350×200	FCC35-20-2	22	350×200
FCC35-25-1	12	350×250	FCC35-25-2	22	350×250
FCC35-30-1	12	350×300	FCC35-30-2	22	350×300

Part no. / Dimensions

• Include M3×6 screw × 12

Part no.	H	Box W×D / D×W	Part no.	H	Box W×D / D×W
FCC40-20-1	12	400×200	FCC40-20-2	22	400×200
FCC40-25-1	12	400×250	FCC40-25-2	22	400×250
FCC40-30-1	12	400×300	FCC40-30-2	22	400×300
FCC50-25-1	12	500×250	FCC50-25-2	22	500×250
FCC50-30-1	12	500×300	FCC50-30-2	22	500×300
FCC60-30-1	12	600×300	FCC60-30-2	22	600×300