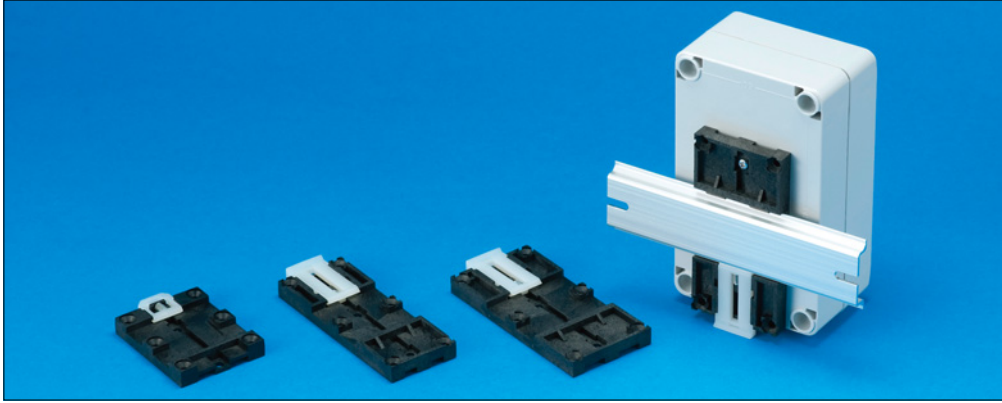


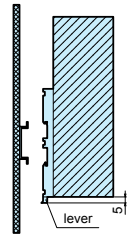
DRA·DRT SERIES

DRA DIN-RAIL MOUNTING BASE

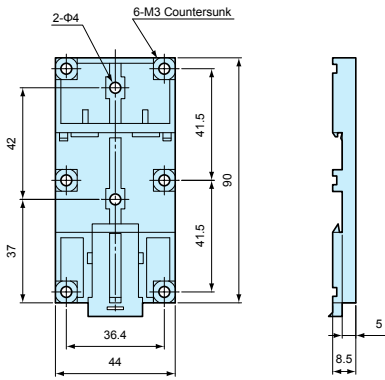


• **Note**

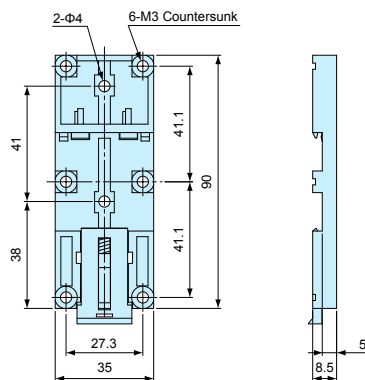
Do not hide a lever at installation.



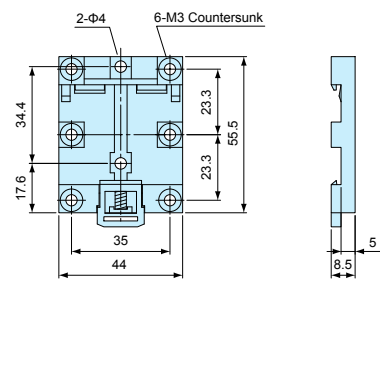
DRA-1



DRA-2



DRA-3

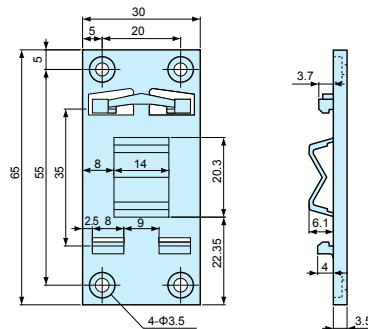
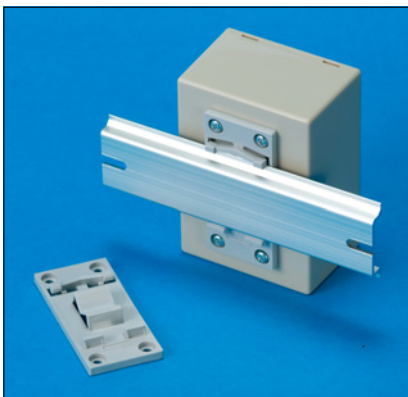


Part no. / Components

Part no.	Pcs	Material	Color	Max load (kg)
DRA-1	1	Polyamide	Black	5
DRA-2	1	Polyamide	Black	5
DRA-3	1	Polyamide	Black	5

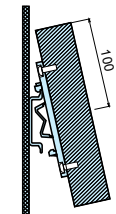
- To install a case, PCB and parts on a DIN rail.
- Easy to install and remove by pulling down a lever.

DRT DIN-RAIL MOUNTING BASE



• **Note**

Length of the case should be equal to or less than 100mm from the center of the mounting base.



Part no. / Components

Part no.	Pcs	Material	Color	Max load (kg)
DRT-1	1	PBT (UL94V-0)	Light gray	1

- To install a case, PCB and parts on DIN rail.
- Easy to install and remove by pulling down a lever.