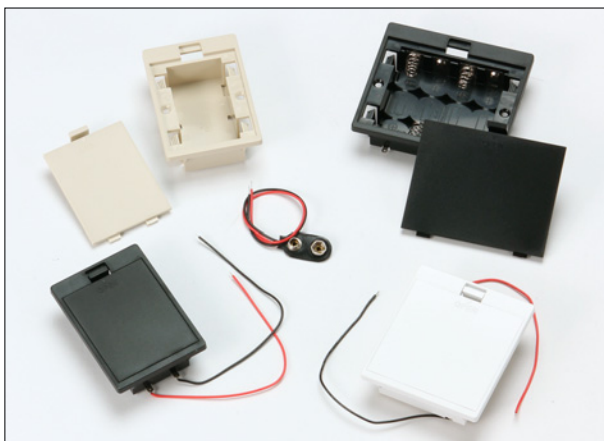
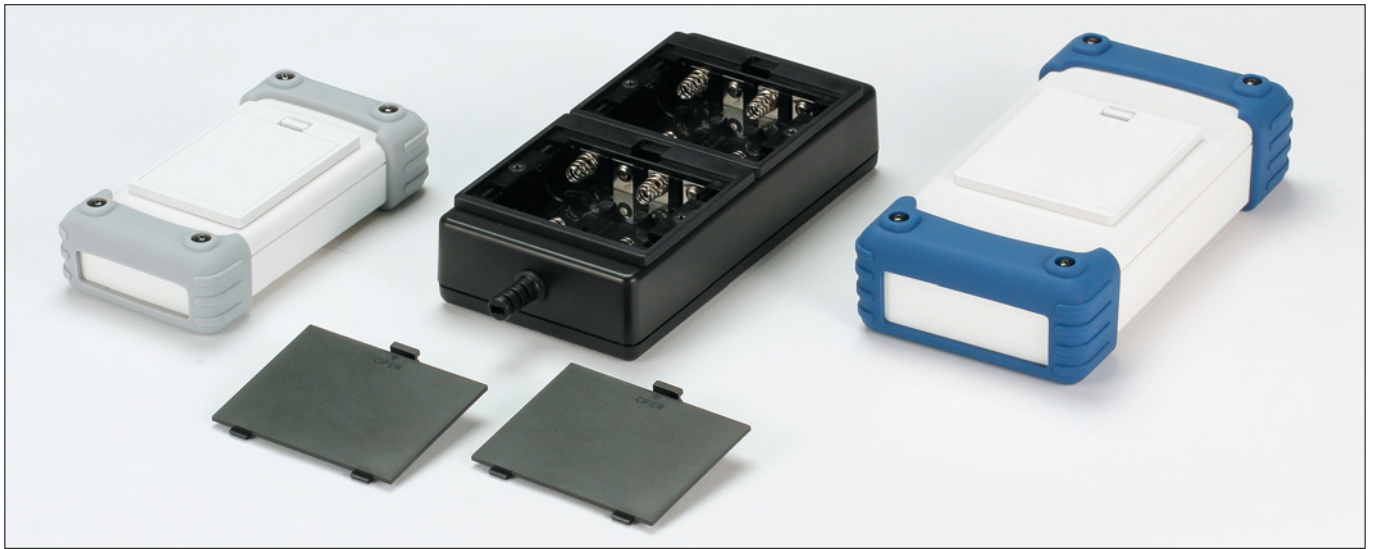


# LD·LDN SERIES

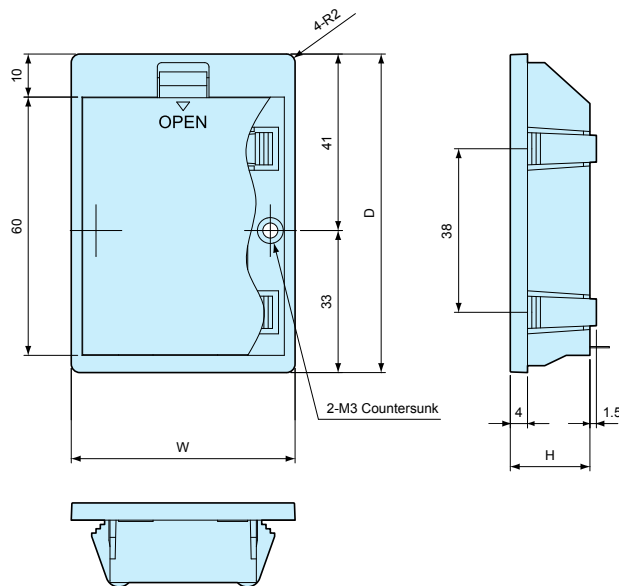
# SNAP-IN BATTERY BOX

Prepared suitable battery holders with a lid to TWS · TW · TWN series.



### Dimensions

• Refer to page 243 to 245 for detail dimensions and components.



### Color Type

Color code	Color	Material
A	Ivory	ABS(UL94HB)
B	Black	ABS(UL94HB)
W	White	PC+ABS(UL94V-0)

• CAD data is downloadable from our website.

### Part no. / Dimensions

• Please suffix color code at the end of part number □ when ordering LD · LDN series

Part no.	Battery type	W	H	D	Suitable TWS · TW · TWN case sizes
LD-006P□ / LDN-006P□	9Vx1 with battery snap	52	21.5	74	*7-4-11, 7-5-11,*7-3-13, 7-5-13,*8-2-8, 8-4-8, 9-4-17, 9-6-17, 11-5-22, 11-8-22, 13-3-13, 13-5-13, 13-3-18, 13-5-18, 13-7-18
LD-2□ / LDN-2□	AA×2	52	18.5	74	7-4-11, 7-5-11, 9-4-17, 9-6-17, 11-5-22, 11-8-22, 13-3-13, 13-5-13, 13-3-18, 13-5-18, 13-7-18
LD-3□ / LDN-3□	AA×3	64.5	18.5	74	9-4-17, 9-6-17, 11-5-22, 11-8-22, 13-3-13, 13-5-13, 13-3-18, 13-5-18, 13-7-18
LD-4□ / LDN-4□	AA×4	82	18.5	74	13-3-13, 13-5-13, 13-3-18, 13-5-18, 13-7-18

LD = without lead wires      LDN = with lead wires

\*Note: LD-006P / LDN-006P can not mount on TW7-4-11, TW7-3-13, and TW8-2-8.