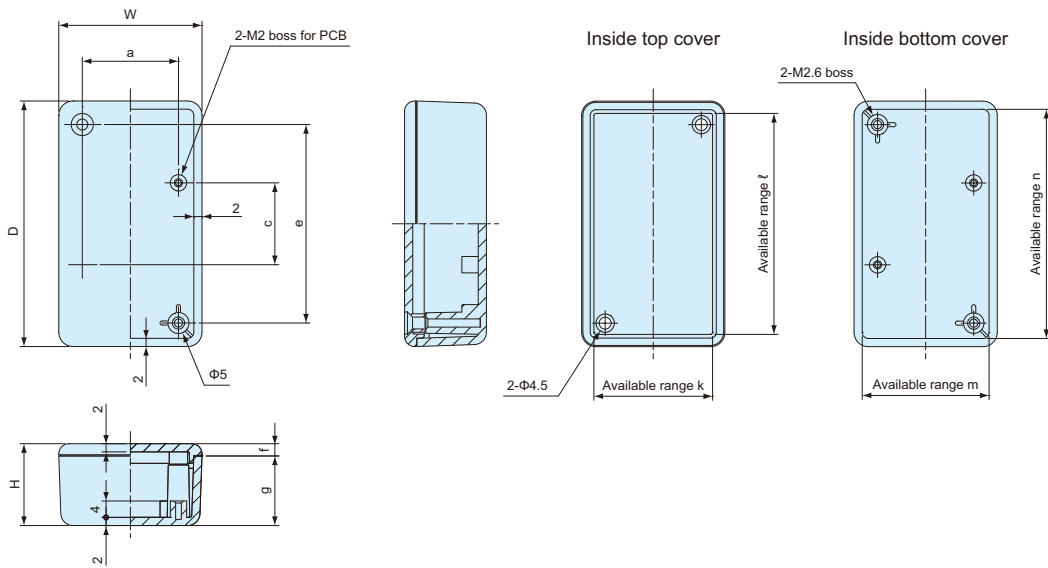


**TW · TWN dimensions**

TW / TWN4-2-5  
 TW / TWN4-2-6  
 TW / TWN4-2-8

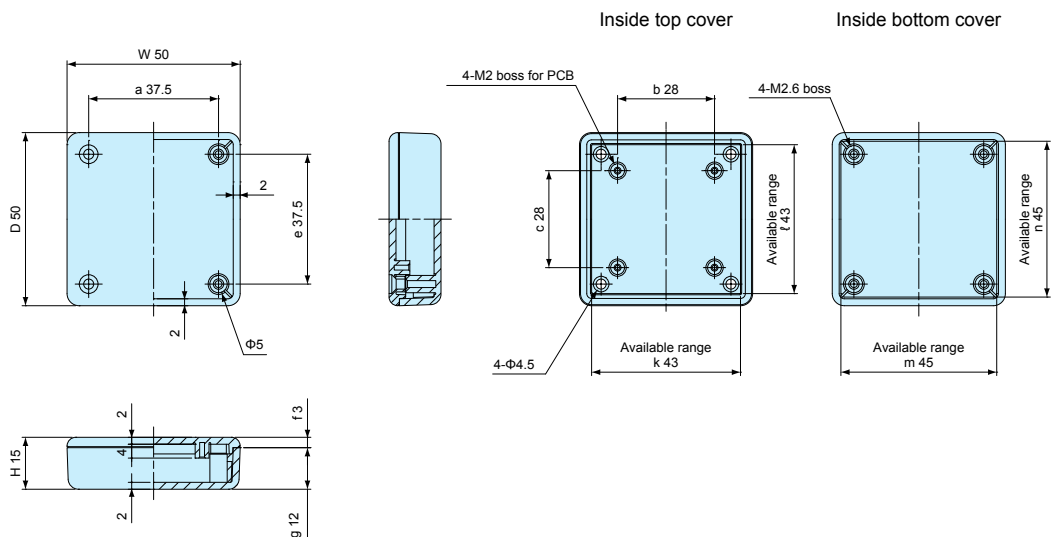
• CAD data is downloadable from our website.



Part no.	W	H	D	a	b	c	e	f	g	i	j	k	ℓ	m	n
TW / TWN4-2-5□	35	20	50	23.5	—	20	38.5	3	17	—	—	28.5	43.5	29.5	44.5
TW / TWN4-2-6□	35	20	60	23.5	—	20	48.5	3	17	—	—	28.5	53.5	29.5	54.5
TW / TWN4-2-8□	40.3	20	80.3	28.5	—	40	68.5	3	17	—	—	33.5	73.5	34.5	74.5

TW5-2-5

• CAD data is downloadable from our website.



Part no.	W	H	D	a	b	c	e	f	g	i	j	k	ℓ	m	n
TW5-2-5□	50	15	50	37.5	28	28	37.5	3	12	—	—	43	43	45	45