

# GEL Bush

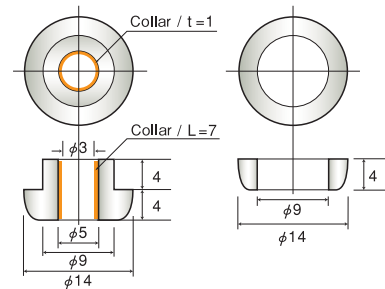


- [Features]**
- Designed to damp tiny-to-light-load and micro vibration.
  - Effective for minimizing horizontal drift, using a bolt running through GEL Bush.
  - Along with its shock absorbing capability, GEL Bush is ideal for light and fragile objects including PCBs (printed circuit boards).
  - Available for loads from 0.2 kg (0.44 lb) to 32 kg (70.55 lb) with 4 points of support.

## Type A

Part No.	Optimum Load (kg/4 points)	Resonance Point (Hz)	Resonance Magnification (dB)	Recommended Frequency (Hz)
A - 1	0.5 ~ 2.5	67 ~ 35	9 ~ 10	0.5kg : 95 ~ 2.5kg : 50 ~
A - 2	2.5 ~ 4.0	49 ~ 37	15 ~ 16	2.5kg : 70 ~ 4.0kg : 55 ~

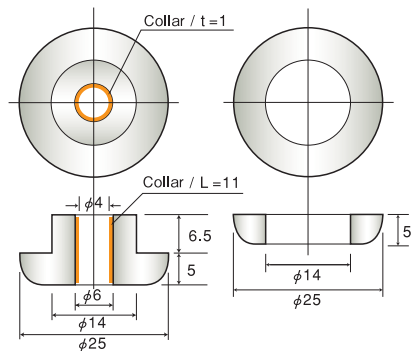
Collar material : Brass



## Type B

Part No.	Optimum Load (kg/4 points)	Resonance Point (Hz)	Resonance Magnification (dB)	Recommended Frequency (Hz)
B - 1	4 ~ 15	49 ~ 23	15 ~ 17	4kg : 70 ~ 15kg : 35 ~
B - 2	15 ~ 32	38 ~ 20	19 ~ 23	15kg : 40 ~ 32kg : 25 ~

Collar material : Brass



## Type S

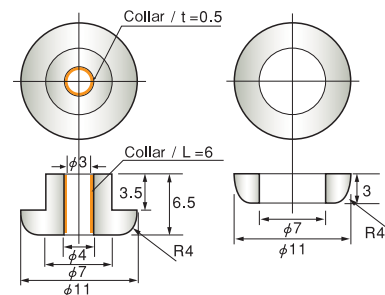
Part No.	Optimum Load (kg/4 points)	Resonance Point (Hz)	Resonance Magnification (dB)	Recommended Frequency (Hz)
S	0.2 ~ 0.75	64 ~ 42	7 ~ 9	0.2kg : 90 ~ 0.75kg : 60 ~

Collar material : Brass

※ These data were obtained with 1.2mm -thick PCB sandwiched for type A, 1.5mm for type B, and 1.0mm for type S.

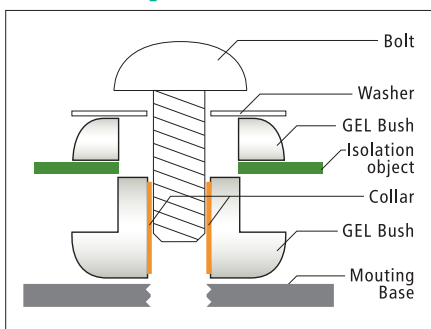
※ Recommended frequency depends on loads.

※ Since this product is very soft and easily damaged, please handle with care.



- [Notes]**
- Tighten the bolt all the way to the collar.
  - Usable bolts are M3 or smaller for type A, M4 or smaller for type B, and M3 or smaller for type S.
  - Use a washer equal to or bigger than the diameter of the upper portion of GEL Bush.
  - ※ Collar inside the GEL Bush can be removed for use.

## [Installation]



## [Damping Characteristics]

