



CONTAINER HEATER

缶ヒーター

It solves your problems on site.
It makes the solvent easier to handle by directly heating the can.

Type K

Drum container
Pail container
5 gallon square container

RoHS2
Compliance

Features

- Easy detachable without applying force and easy carrying.
- Can be used all the year round regardless of any industry.
- Anyone can use with a temperature control function.
- Excellent flexibility and durability.



Pail container



5 gallon square container

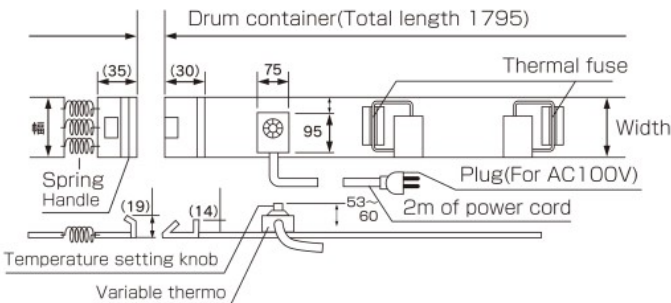


Drum container

※Picture shows two can heaters attached.



Simple installation.



Product code	K-11W-PSE	K-21W-PSE
Adaptive can	Heater for pail container	Drum container
Adaptive can size for above	18ℓ・20ℓ Pail container (Φ286)	200ℓ Drum container (Φ567)
Voltage	100V	100V
Capacity	380W	900W
Width x total length	200×915	200×1795
Temperature setting	30~80℃	30~80℃
Power cord	2m(With plug)	2m(With plug)
Mass	Approximately 1.1 kg	Approximately 1.4 kg
Compatible with detachable insulation jacket	○	○

Two thermal fuses are built in all. Dimensions other than above are also available.



株式会社スリーハイ
THREE HIGH CO.,LTD.

Web: www.threehigh.com

Mail: info_overseas@threehigh.co.jp

Headquarters/Factory

4-42-16 Higashiyamata, Tsuzuki Ward, Yokohama City, Kanagawa 224-0023 JAPAN
TEL: +81-45-590-5561 FAX: +81-45-590-5571

