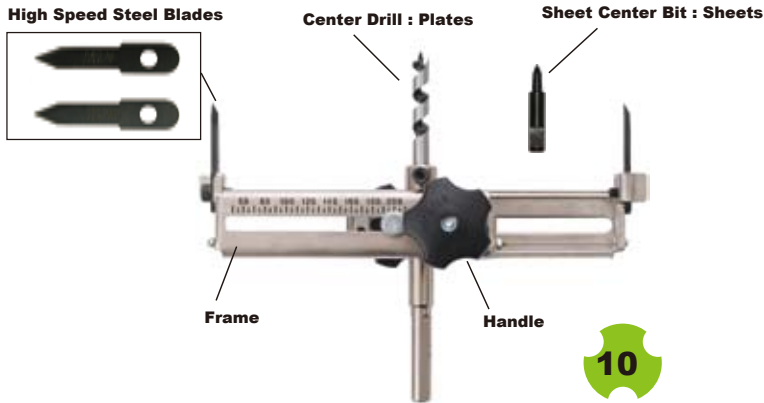


# FOR ELECTRICIANS

## NO.5010 Quick Adjustable Circle Cutter

Quick adjusting system with simultaneously sliding measurement frames of both blades yields an extremely easy to use product.

**New!**



**Cutting Range : 60mm - 200mm**

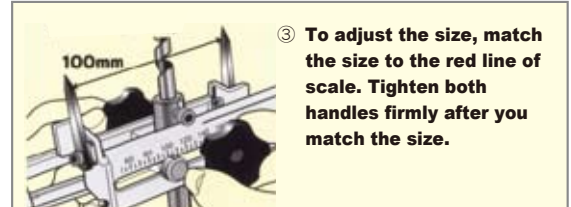
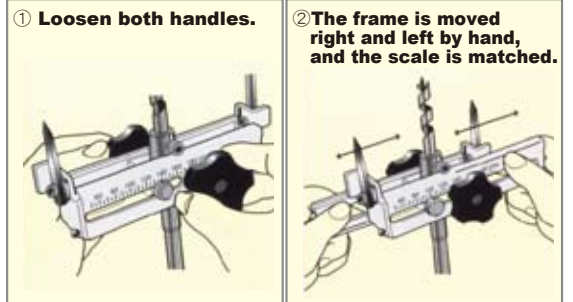
**Cutting Depth: One side 30mm**

**Both side 60mm**

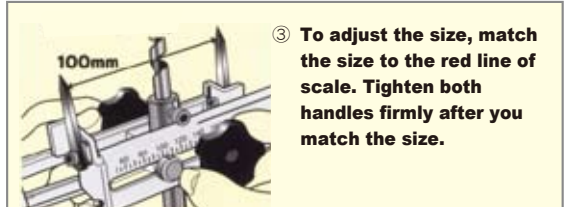
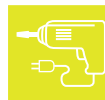
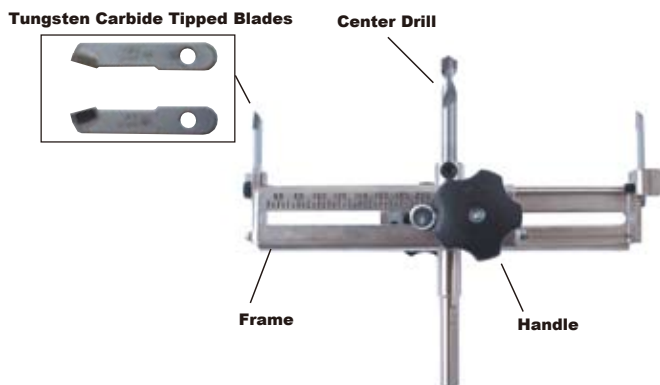


|                      | Size                         | Unit mm<br>Shank-Dia |
|----------------------|------------------------------|----------------------|
| <b>Set</b>           | <b>60mmX200mm</b>            | <b>10</b>            |
| <b>H.S.S. Blades</b> | <b>Set of 2 Spare Blades</b> |                      |
| <b>Center Drill</b>  | <b>For plates</b>            | <b>8</b>             |
|                      | <b>For sheets</b>            | <b>8</b>             |

### HOW TO USE



## NO.5010T T.C.T.Quick Adjustable Circle Cutter



**Cutting Range : 60mm - 200mm**

**Cutting Depth: One side 25mm**

**Both side 50mm**



|                      | Size                         | Unit mm<br>Shank-Dia |
|----------------------|------------------------------|----------------------|
| <b>Set</b>           | <b>60mmX200mm</b>            | <b>10</b>            |
| <b>T.C.T. Blades</b> | <b>Set of 2 Spare Blades</b> |                      |
| <b>Center Drill</b>  |                              | <b>8</b>             |