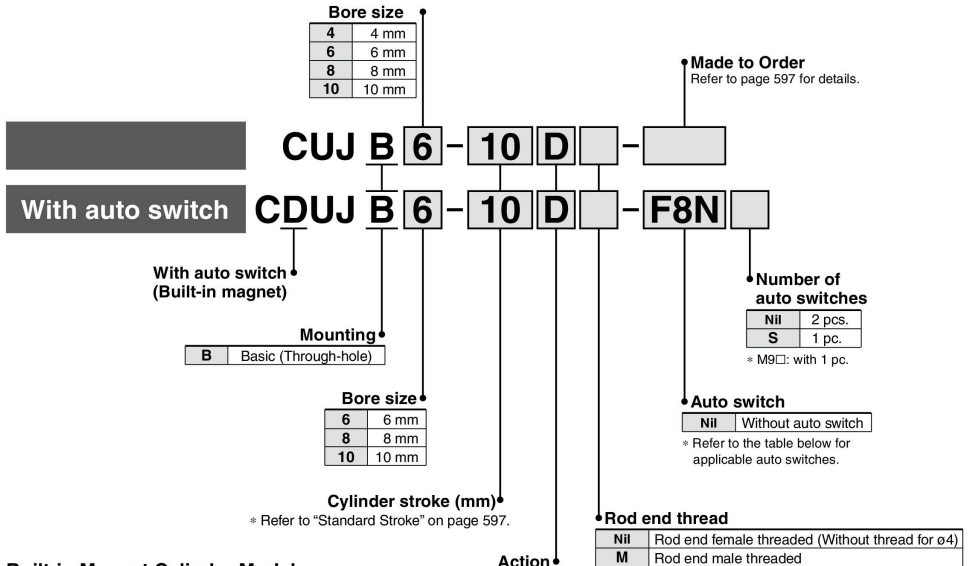


# Mini Free Mount Cylinder

# CUJ Series

ø4, ø6, ø8, ø10

## How to Order



### Built-in Magnet Cylinder Model

In the case of built-in magnet without auto switch, the symbol for auto switch is "Nil".  
(Example) CDUJB8-15DM

### Applicable Auto Switches

Refer to pages 1575 through to 1701 for additional information on auto switches.

Type	Special function	Electrical entry	Indicator light	Wiring (Output)	Load voltage		Auto switch model		Lead wire length (m) *				Pre-wired connector	Applicable load		
					DC	AC	Perpendicular	In-line	0.5 (Nil)	1 (M)	3 (L)	5 (Z)		IC circuit	Relay, PLC	
																M9N
Solid state auto switch	—	Grommet	Yes	3-wire (NPN)	5 V, 12 V	—	—	●	●	●	○	○	—	—	—	
								●	●	●	○	○				
				3-wire (PNP)	12 V	—	—	●	●	●	○	○	—	—	—	
								●	●	●	○	○				
				2-wire	24 V	—	—	●	●	●	○	○	—	—	—	
								●	●	●	○	○				
	Diagnostic indication (2-color indicator)	Grommet	Yes	—	3-wire (NPN)	5 V, 12 V	—	—	●	●	●	○	○	—	—	—
					3-wire (PNP)	12 V	—	—	●	●	●	○	○			
					2-wire	5 V, 12 V	—	—	●	●	●	○	○			
					3-wire (NPN)	12 V	—	—	●	●	●	○	○			
Water resistant (2-color indicator)	Grommet	Yes	—	3-wire (PNP)	5 V, 12 V	—	—	○	○	●	○	○	—	—	—	
				3-wire (NPN)	12 V	—	—	○	○	●	○	○				
Water resistant (2-color indicator)	Grommet	Yes	—	2-wire	5 V, 12 V	—	—	○	○	●	○	○	—	—	—	
				2-wire	12 V	—	—	○	○	●	○	○				

\*\* Water resistant type auto switches can be mounted on the above models, but in such case SMC cannot guarantee water resistance. Consult with SMC regarding water resistant types with the above model numbers.

\* Lead wire length symbols: 0.5 m ..... Nil (Example) M9N  
 1 m ..... M (Example) M9NM  
 3 m ..... L (Example) M9NL  
 5 m ..... Z (Example) M9NZ

\* Auto switches marked with "○" are produced upon receipt of order.

Note 1) For 2-color indicator, use caution on hysteresis. Refer to page 1585, "Auto Switch Hysteresis" prior to use.

Note 2) Refer to pages 1575 through to 1701 for detailed auto switch specifications.

\* Auto switches are included, (but not assembled).