

SBM-16□ ~ 104□

d2

工場電気設備防爆指針
(ガス蒸気防爆2006)

IP54

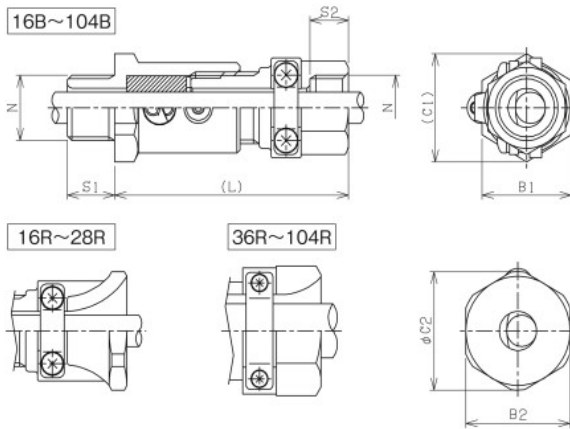
容器の保護等級

SBM - □□ □ - □

パッキンNo.
Packing Number
B (固定機器用)
B (For Fixing Equipment)
R (移動機器用)
R (For Movement Equipment)
サイズ
Size
基本型式
Basic Type



※ 36以上はダブルクランプとなります
size over 36 are equipped with 2 clamps



標準仕様 (16~28) Standard Specification

本体材質 Substance Material	亜鉛合金ダイカスト Zinc Alloy Die-Cast
耐圧パッキン材質 Pressure Resistant Packing Material	クロロプレンゴム Chloroprene Rubber
表面処理 Surface Treatment	ニッケルメッキ Nickel Electroplating

標準仕様 (36~104) Standard Specification

本体材質 Substance Material	銅合金 Brass
耐圧パッキン材質 Pressure Resistant Packing Material	クロロプレンゴム Chloroprene Rubber
表面処理 Surface Treatment	ニッケルメッキ Nickel Electroplating

型式 Type	N	S1	S2	B1	C1	B2	φC2	L	重量(kg) Weight
SBM-16B	PF 1/2	16	13	30	35	35	38	78	0.2
SBM-16R								82	
SBM-22B								79	
SBM-22R	PF 3/4	18	13	33	38	41	44	84	0.3
SBM-28B								91	
SBM-28R								96	
SBM-36B	PF 1-1/4	25	17	50	58	50	58	92	0.7
SBM-36R									
SBM-42B									
SBM-42R	PF 1-1/2	25	17	56	65	56	65	95	0.8
SBM-54B									
SBM-54R									
SBM-70B	PF 2-1/2	30	22	85	98	85	98	127	2.4
SBM-70R									
SBM-82B									
SBM-82R	PF 3	30	22	98	113	98	113	127	3.5
SBM-92B									
SBM-92R									
SBM-104B	PF 3-1/2	30	22	110	127	110	127	135	5.3
SBM-104R									
SBM-104R									

70以上のパッキンは受注生産となりますので必ずケーブル外径をご指示願います。
Thread size more than 70 is manufactured on request. Cable capacity size want be in formed at time of order.

サイズ Size	パッキン No. Packing No.	適合ケーブル範囲(φ) Cable Capacity Min-Max
16	8	4.0~4.9
	7	5.0~5.9
	6	6.0~6.9
	5	7.0~7.9
	4	8.0~8.9
	3	9.0~9.9
	2	10.0~10.9
	1	11.0~12.0
22	6	10.0~10.9
	5	11.0~11.9
	4	12.0~12.9
	3	13.0~13.9
	2	14.0~14.9
28	1	15.0~16.0
	7	13.0~13.9
	6	14.0~14.9
	5	15.0~15.9
	4	16.0~16.9
36	3	17.0~17.9
	2	18.0~18.9
	1	19.0~20.0
	8	17.0~17.9
	7	18.0~18.9
	6	19.0~19.9
	5	20.0~20.9
	4	21.0~21.9
42	3	22.0~22.9
	2	23.0~23.9
	1	24.0~25.0
	9	20.0~20.9
	8	21.0~21.9
	7	22.0~22.9
	6	23.0~23.9
	5	24.0~24.9
54	4	25.0~25.9
	3	26.0~26.9
	2	27.0~27.9
	1	28.0~29.0
	9	28.0~28.9
	8	29.0~29.9
	7	30.0~30.9
	6	31.0~31.9
70	5	32.0~32.9
	4	33.0~33.9
	3	34.0~34.9
	2	35.0~35.9
	1	36.0~37.0
	10	37.0~37.9
	9	38.0~38.9
	8	39.0~39.9
82	7	40.0~40.9
	6	41.0~41.9
	5	42.0~42.9
	4	43.0~43.9
	3	44.0~44.9
	2	45.0~45.9
	1	46.0~47.0
	9	47.0~47.9
92	8	48.0~48.9
	7	49.0~49.9
	6	50.0~50.9
	5	51.0~51.9
	4	52.0~52.9
	3	53.0~53.9
	2	54.0~54.9
	1	55.0~56.0
104	8	56.0~56.9
	7	57.0~57.9
	6	58.0~58.9
	5	59.0~59.9
	4	60.0~60.9
	3	61.0~61.9
	2	62.0~62.9
	1	63.0~64.0

サイズ Size	パッキン No. Packing No.	適合ケーブル範囲(φ) Cable Capacity Min-Max
54	9	28.0~28.9
	8	29.0~29.9
	7	30.0~30.9
	6	31.0~31.9
	5	32.0~32.9
	4	33.0~33.9
	3	34.0~34.9
	2	35.0~35.9
70	1	36.0~37.0
	10	37.0~37.9
	9	38.0~38.9
	8	39.0~39.9
	7	40.0~40.9
	6	41.0~41.9
	5	42.0~42.9
	4	43.0~43.9
82	3	44.0~44.9
	2	45.0~45.9
	1	46.0~47.0
	9	47.0~47.9
	8	48.0~48.9
	7	49.0~49.9
	6	50.0~50.9
	5	51.0~51.9
92	4	52.0~52.9
	3	53.0~53.9
	2	54.0~54.9
	1	55.0~56.0
	8	56.0~56.9
	7	57.0~57.9
	6	58.0~58.9
	5	59.0~59.9
104	4	60.0~60.9
	3	61.0~61.9
	2	62.0~62.9
	1	63.0~64.0
	8	64.0~64.9
	7	65.0~65.9
	6	66.0~66.9
	5	67.0~67.9
104	4	68.0~68.9
	3	69.0~69.9
	2	70.0~70.9
	1	71.0~72.0

※パッキンNo.を選定してください。
※Select Packing Number.

03

ケーブルグランド