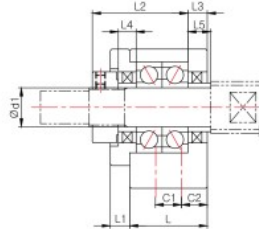
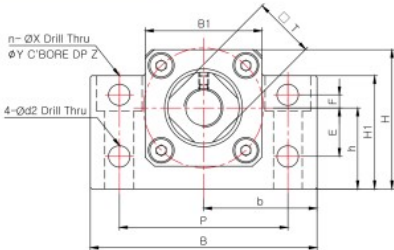


SUPPORT UNIT : AK/AF SERIES



SUPPORT UNIT FOR BALL SCREW (GENERAL LOAD)

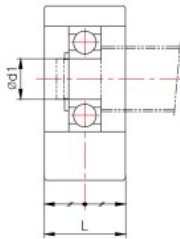
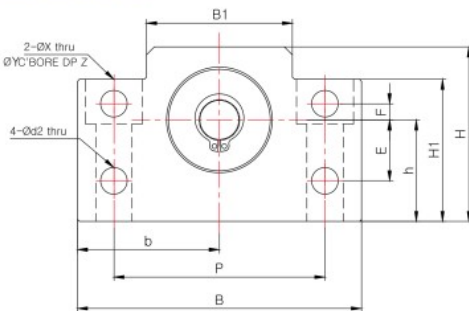
AK-8 ~ AK-20



Dimensions

Model	Sizes (mm)																							Mass (g)	
	Body																			Spacer(collar)					
	d1	L	L1	L2	L3	B	H	b±0.02	h±0.02	B1	H1	E	F	P	C1	C2	d2	n	X	Y	Z	□	L4		L5
AK-8	8	20	3	24.5	4	52	32	26	17	25	26	10	4	38	-	10	5.5	2	6.6	11	12	14	4	4	190
AK-10	10	24	6	29.5	6	70	43	35	25	36	35	15	4	52	-	12	6.6	2	9	14	11	16	5.5	5.5	450
AK-12	12	24	6	29.5	6	70	43	35	25	36	35	15	4	52	-	12	6.6	2	9	14	11	19	5.5	5.5	440
AK-15	15	25	6	36	5	80	50	40	30	41	40	15	4	60	-	12.5	6.6	2	11	17	15	22	10	10	570
AK-20	20	42	10	50	10	95	58	47.5	30	56	45	-	-	75	22	10	-	4	11	17	15	30	11	11	1,400

AF-8 ~ AF-20



Dimensions

Model	Sizes (mm)															Mass (g)	Snap-ring	Bearing
	Body																	
	d1	L	B	H	b±0.02	h±0.02	B1	H1	E	F	P	d2	X	Y	Z			
AF-8	6	15	52	32	26	17	25	26	10	4	38	5.5	6.6	11	12	130	C6	606ZZ
AF-10	8	20	70	43	35	25	36	35	15	4	52	6.6	9	14	11	320	C8	608ZZ
AF-12	10	20	70	43	35	25	36	35	15	4	52	6.6	9	14	11	330	C10	6000ZZ
AF-15	15	20	80	50	40	30	41	40	15	4	60	6.6	9	14	11	370	C15	6002ZZ
AF-20	20	26	95	58	47.5	30	56	45	-	-	75	-	11	17	15	660	C20	6204ZZ