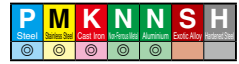
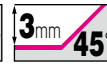


DGC13000R(S) Type

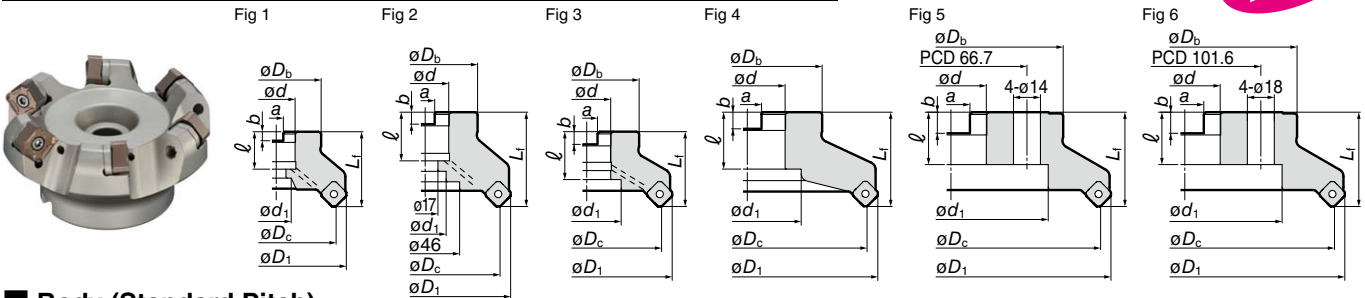
Rake Angle	Radial	-10°
	Axial	-5°



(SNMT/SNET) (ONMT/ONET)

Expansion

General Milling for Steel & Hardened Steel & Cast Iron



Body (Standard Pitch)

Cat. No.	Stock	Dimensions (mm)										No. of Teeth	Weight (kg)	Fig
		ϕD_c	ϕD_1	ϕD_b	L_1	ϕd	a	b	ℓ	ϕd_1				
Metric	DGC 13040RS	●	40 (42.9)	54	36	40 (38.44)	16	8.4	5.6	18	13.5	3	0.3	1
	13050RS	●	50 (52.9)	64	40	40 (38.44)	22	10.4	6.3	20	18	3	0.4	1
	13063RS	●	63 (65.9)	77	50	40 (38.44)	22	10.4	6.3	20	18	4	0.5	1
	13080RS	●	*80 (82.9)	94	60	50 (48.44)	27	12.4	7	25	20	4	1.2	1
	13100RS	●	100 (102.9)	114	70	50 (48.44)	32	14.4	8.5	32	46	5	1.6	3
	13125RS	●	125 (127.9)	139	80	63 (61.44)	40	16.4	9.5	29	52	6	2.8	1
	13160RS	●	160 (162.9)	174	130	63 (61.44)	40	16.4	9.5	29	88	7	4.5	5
	13200RS	●	200 (202.9)	214	150	63 (61.44)	60	25.7	14	35	130	8	7.1	6
Imperial	DGC 13080R	●	*80 (82.9)	94	60	50 (48.44)	25.4	9.5	6	25	20	4	1.2	1
	13100R	●	*100 (102.9)	114	70	63 (61.44)	31.75	12.7	8	32.5	28	5	2.2	2
	13125R	●	125 (127.9)	139	80	63 (61.44)	38.1	15.9	10	35.5	55	6	2.8	1
	13160R	●	160 (162.9)	174	100	63 (61.44)	50.8	19.1	11	38	72	7	4.5	4
	13200R	●	200 (202.9)	214	150	63 (61.44)	47.625	25.4	14	35	130	8	7.1	6
	13250R	●	250 (252.9)	264	190	63 (61.44)	47.625	25.4	14	35	150	10	11.2	6

Figures in parentheses indicate values for ONMT/ONET type inserts.

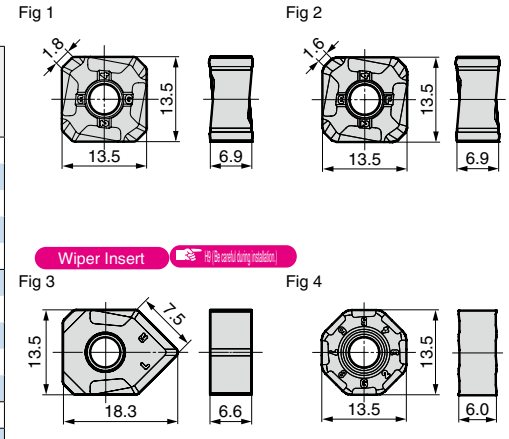
Inserts are not included. Sizes $\phi 160$ mm or above do not have coolant holes. Figures in parentheses indicate values for ONMT type inserts.

*Please use JIS B1176 hexagonal bolt ($\phi 80$: M12x30 to 35mm, $\phi 100$: M16x40 to 45mm) for securing $\phi 80/\phi 100$ cutter to the arbour.

Inserts

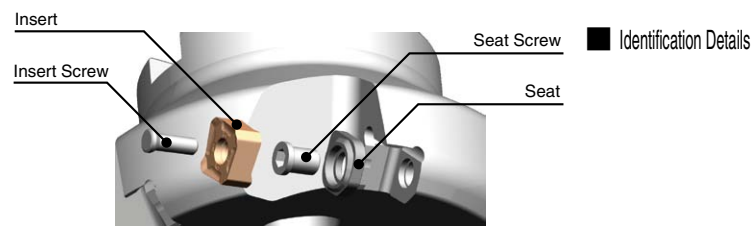
P Steel **M** Stainless Steel **K** Cast Iron **N** Non-Ferrous Metal **S** Exotic Alloy **H** Hardened Steel

Grade	Coated Carbide				Carbide	DLC	Cermet	Fig				
	High Speed/Light	General Purpose	Roughing									
Application	P	M	K	N	S	H						
Cat. No.	ACP100	ACP200	ACP300	ACK200	ACK300	ACM200	ACM300	H1	EH20	DL1000	T4500A	
SNMT 13T6ANER-L	●	●	●	●	●							1
13T6ANER-G	●	●	●	●	●				●		●	1
13T6ANER-H	●	●	●	●	●							1
13T6ANER-FL	●	●	●	●	●							2
13T6ANER-FG	●	●	●	●	●							2
SNET 13T6ANER-L	●	●	●	●	●	●	●					1
13T6ANER-G	●	●	●	●	●	●	●					1
13T6ANER-FL	●	●	●	●	●	●	●					2
13T6ANER-FG	●	●	●	●	●	●	●					2
13T6ANFR-S	●	●	●	●	●			●	●			1
XNEU 13T6ANEN-W	●	●	●	●	●						●	3
ONMT 05T6ANER-L	●	●	●	●	●							4
05T6ANER-G	●	●	●	●	●							4
ONET 05T6ANER-L	●	●	●	●	●	●	●					4
05T6ANER-G	●	●	●	●	●	●	●					4



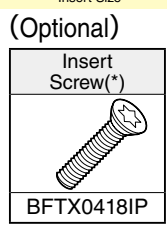
Wiper inserts can be used only in combination with square inserts.

* The new ACP100 and new ACK200 may vary in color or luster, but these variations do not affect the performance.



Parts

Seat	Seat Screw	L Type Wrench	Insert Screw	Spanner	Anti-seizure Cream
DGCS13R	BW06509F	LH040	BFTX0412IP Nm 3.0	TRDR15IP	SUMI-P



Recommended Cutting Conditions **H31**

Nm Recommended Tightening Torque (N·m)

*Corners can be changed simply by loosening the screw. (Only applies to DGC / DGCM types with body size $\phi 80$ or above.)