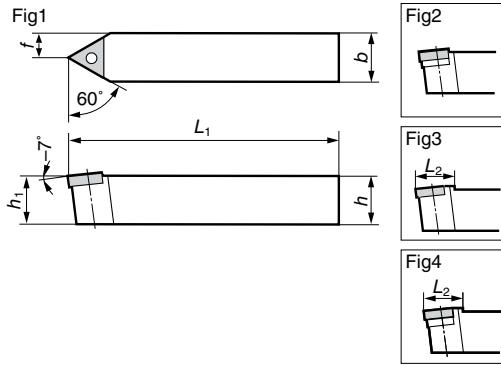
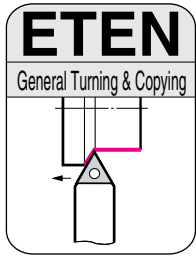
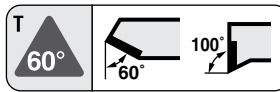


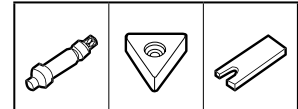
ETEN / ETXN Type



SEC- 30 Type Tool Holders

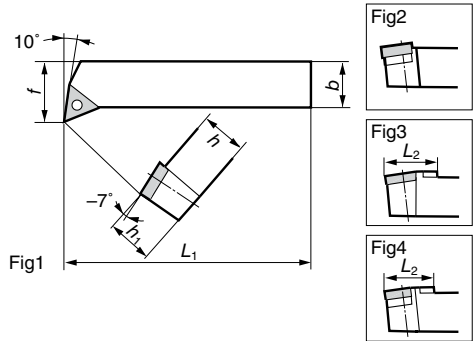
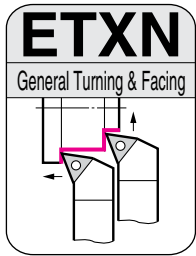
General Turning
Pin Lock

■ Spare Parts



■ Holders

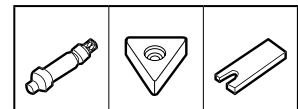
Cat. No.	Conventional Cat. No.	Stock	Dimensions (mm)							Fig	Applicable Inserts		Pin	Shim	Spanner
			h	b	L ₁	f	h ₁	L ₂	Cat. No.		Ref. Page				
ETEN N1212F11	ETEN N1212	●	12	12	80	6.0	11.5	-	1	TN□□1103	B52	P221US	-	KY25	
ETEN N1616H1603	ETEN N1616H32	●	16	16	100	8.0	15.5	-	1	TN□□1603	B53	P322US	-	KY40	
ETEN N1616H1604	ETEN N1616H33	●	16	16	100	8.0	15.5	-	1	TN□□1604	From B54	P332US	-		
ETEN N2020K1603	ETEN N2020K32	●	20	20	125	10.0	19.5	-	1	TN□□1603	B53	P323US	-		
ETEN N2020K1603W	ETEN N2020K32W	●	20	20	125	10.0	19.5	-	2	TN□□1603	B53	P323WS	EST32		
ETEN N2020K1604	ETEN N2020K33	●	20	20	125	10.0	19.5	-	1	TN□□1604	From B54	P333US	-		
ETEN N2020K1604W	ETEN N2020K33W	●	20	20	125	10.0	19.5	-	2			P333WS	EST32		
ETEN N2520M1604	ETEN N2520	●	25	20	150	10.0	24.5	-	1			P334US	-		
ETEN N2520M1604W	ETEN N2520W	●	25	20	150	10.0	24.5	-	2			P334WS	EST32		
ETEN N2525M1604	ETEN N2525M33	●	25	25	150	12.5	24.5	-	1	TN□□1604	From B54	P334US	-		
ETEN N2525M1604W	ETEN N2525M33W	●	25	25	150	12.5	24.5	-	2	TN□□1604	From B54	P334WS	EST32		
ETEN N2525M22	ETEN N2525M43	●	25	25	150	12.5	24.5	30	3	TN□□2204	B59	P434U	-		
ETEN N2525M22W	ETEN N2525M43W	●	25	25	150	12.5	24.5	30	4	TN□□2204	B59	P434W	EST43		



SEC- 30 Type Tool Holders

General Turning
Pin Lock

■ Spare Parts



■ Holders

Above figures show right hand tools.

Cat. No.	Conventional Cat. No.	Stock		Dimensions (mm)							Fig	Applicable Inserts		Pin	Shim	Spanner
		R	L	h	b	L ₁	f	h ₁	L ₂	Cat. No.		Ref. Page				
ETXN R/L1212F11	ETXN R/L1212	●	●	12	12	80	16	11.5	-	1	TN□□1103	B52	P221US	-	KY25	
ETXN R/L1616H1603	ETXN R/L1616H32	●	●	16	16	100	20	15.5	-	1	TN□□1603	B53	P322US	-	KY40	
ETXN R/L1616H1604	ETXN R/L1616H33	●	●	16	16	100	20	15.5	-	1	TN□□1604	From B54	P332US	-		
ETXN R/L2020K1603	ETXN R/L2020K32	●	●	20	20	125	25	19.5	-	1	TN□□1603	B53	P323US	-		
ETXN R/L2020K1603W	ETXN R/L2020K32W	●	●	20	20	125	25	19.5	-	2	TN□□1603	B53	P323WS	EST32		
ETXN R/L2020K1604	ETXN R/L2020K33	●	●	20	20	125	25	19.5	-	1	TN□□1604	From B54	P333US	-		
ETXN R/L2020K1604W	ETXN R/L2020K33W	●	●	20	20	125	25	19.5	-	2			P333WS	EST32		
ETXN R/L2520M1604	ETXN R/L2520	●	●	25	20	150	25	24.5	-	1			P334US	-		
ETXN R/L2520M1604W	ETXN R/L2520W	●	●	25	20	150	25	24.5	-	2			P334WS	EST32		
ETXN R/L2525M1604	ETXN R/L2525M33	●	●	25	25	150	32	24.5	-	1	TN□□1604	From B54	P334US	-		
ETXN R/L2525M1604W	ETXN R/L2525M33W	●	●	25	25	150	32	24.5	-	2	TN□□1604	From B54	P334WS	EST32		
ETXN R/L2525M22	ETXN R/L2525M43	●	●	25	25	150	32	24.5	30	3	TN□□2204	B59	P434U	-		
ETXN R/L2525M22W	ETXN R/L2525M43W	●	●	25	25	150	32	24.5	30	4	TN□□2204	B59	P434W	EST43		

Note: When using right/left handed type inserts for facing, holder and insert are opposite handed.