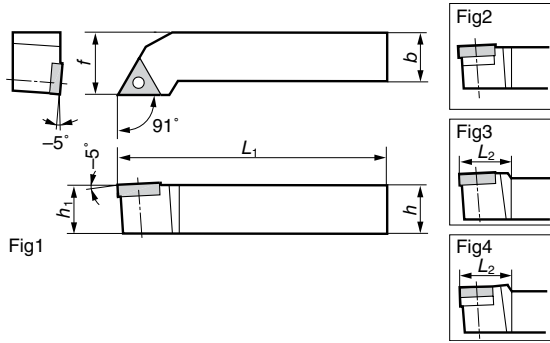
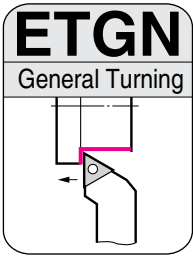
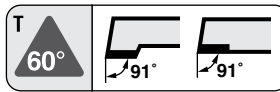
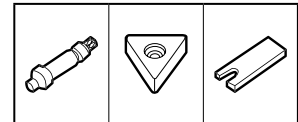


ETGN / ETAN Type



SEC- 30 Type Tool Holders General Turning
Pin Lock

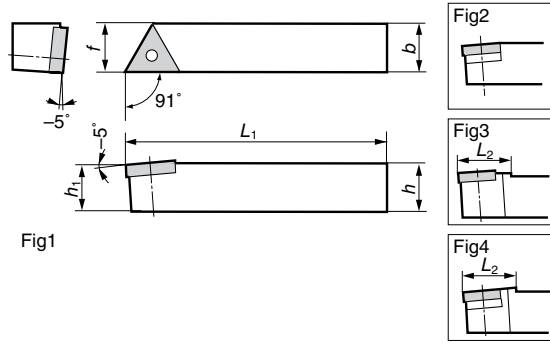
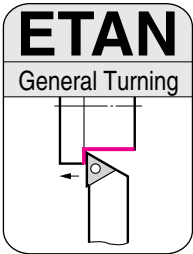
■ Spare Parts



■ Holders

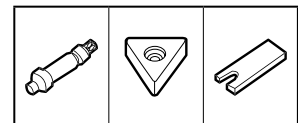
Above figures show right hand tools.

Cat. No.	Conventional Cat. No.	Stock		Dimensions (mm)						Fig	Applicable Inserts		Pin	Shim	Spanner
		R	L	h	b	L ₁	f	h ₁	L ₂		Cat. No.	Ref. Page			
ETGN R/L1212F11	ETGN R/L1212	●	●	12	12	80	16	11.5	-	1	TN□□1103	B52	P221US	-	KY25
ETGN R/L1616H1603	ETGN R/L1616H32	●	●	16	16	100	20	15.5	-	1	TN□□1603	B53	P322US	-	KY40
ETGN R/L1616H1604	ETGN R/L1616H33	●	●	16	16	100	20	15.5	-	1	TN□□1604	From B54	P332US	-	
ETGN R/L2020K1603	ETGN R/L2020K32			20	20	125	25	19.5	-	1	TN□□1603	B53	P323US	-	
ETGN R/L2020K1603W	ETGN R/L2020K32W			20	20	125	25	19.5	-	2			P323WS	EST32	
ETGN R/L2020K1604	ETGN R/L2020K33	●	●	20	20	125	25	19.5	-	1	TN□□1604	From B54	P333US	-	
ETGN R/L2020K1604W	ETGN R/L2020K33W	●	●	20	20	125	25	19.5	-	2			P333WS	EST32	
ETGN R/L2520M1604	ETGN R/L2520			25	20	150	25	24.5	-	1			P334US	-	
ETGN R/L2520M1604W	ETGN R/L2520W			25	20	150	25	24.5	-	2			P334WS	EST32	
ETGN R/L2525M1604	ETGN R/L2525M33			25	25	150	32	24.5	-	1			P334US	-	
ETGN R/L2525M1604W	ETGN R/L2525M33W	●	●	25	25	150	32	24.5	-	2			P334WS	EST32	
ETGN R/L2525M22	ETGN R/L2525M43			25	25	150	32	24.5	30	3	TN□□2204	B59	P434U	-	
ETGN R/L2525M22W	ETGN R/L2525M43W	●	●	25	25	150	32	24.5	30	4				P434W	EST43



SEC- 30 Type Tool Holders General Turning
Pin Lock

■ Spare Parts



■ Holders

Above figures show right hand tools.

Cat. No.	Conventional Cat. No.	Stock		Dimensions (mm)						Fig	Applicable Inserts		Pin	Shim	Spanner
		R	L	h	b	L ₁	f	h ₁	L ₂		Cat. No.	Ref. Page			
ETAN R/L1212F11	ETAN R/L1212	●	●	12	12	80	12	11.5	-	1	TN□□1103	B52	P221US	-	KY25
ETAN R/L1616H1603	ETAN R/L1616H32			16	16	100	16	15.5	-	1	TN□□1603	B53	P322US	-	KY40
ETAN R/L1616H1604	ETAN R/L1616H33	●	●	16	16	100	16	15.5	-	1	TN□□1604	From B54	P332US	-	
ETAN R/L2020K1603	ETAN R/L2020K32			20	20	125	20	19.5	-	1	TN□□1603	B53	P323US	-	
ETAN R/L2020K1603W	ETAN R/L2020K32W			20	20	125	20	19.5	-	2			P323WS	EST32	
ETAN R/L2020K1604	ETAN R/L2020K33			20	20	125	20	19.5	-	1	TN□□1604	From B54	P333US	-	
ETAN R/L2020K1604W	ETAN R/L2020K33W	●	●	20	20	125	20	19.5	-	2			P333WS	EST32	
ETAN R/L2520M1604	ETAN R/L2520			25	20	150	20	24.5	-	1			P334US	-	
ETAN R/L2520M1604W	ETAN R/L2520W			25	20	150	20	24.5	-	2			P334WS	EST32	
ETAN R/L2525M1604	ETAN R/L2525M33			25	25	150	25	24.5	-	1			P334US	-	
ETAN R/L2525M1604W	ETAN R/L2525M33W	●	●	25	25	150	25	24.5	-	2			P334WS	EST32	
ETAN R/L2525M22	ETAN R/L2525M43			25	25	150	25	24.5	30	3	TN□□2204	B59	P434U	-	
ETAN R/L2525M22W	ETAN R/L2525M43W	●	●	25	25	150	25	24.5	30	4				P434W	EST43