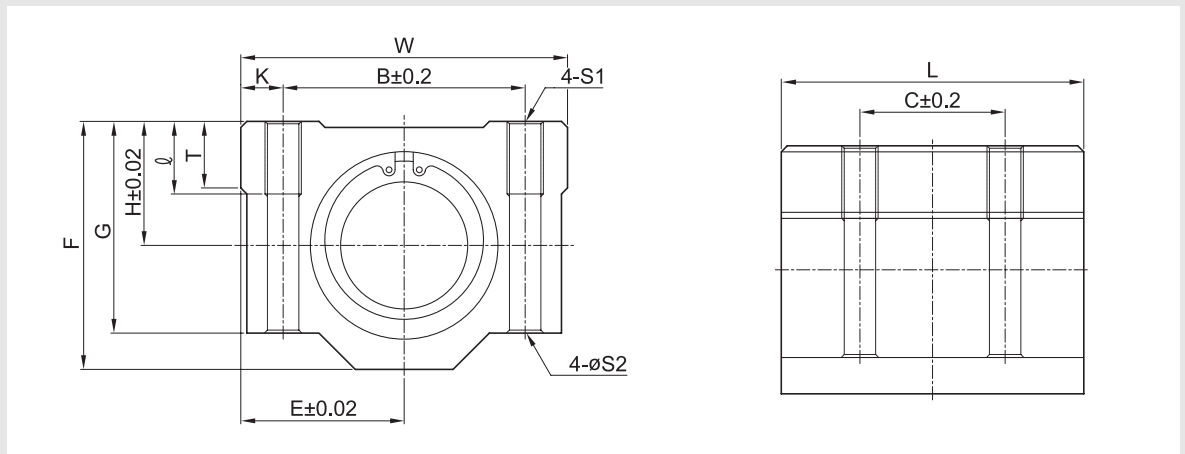


# Linear Bushings

## Asia type Ball Bushing

### SC ball bush housing



Model number	H	E	W	L	F	G	T
SC 12	15	21	42	36	28	24	8
SC 13	15	22	44	39	30	24.5	8
SC 16	19	25	50	44	38.5	32.5	9
SC 20	21	27	54	50	41	35	11
SC 25	26	38	76	67	51.5	42	12
SC 30	30	39	78	72	59.5	49	15
SC 35	34	45	90	80	68	54	18
SC 40	40	51	102	90	78	62	20

① C : Basic dynamic load rating

② Co : Basic static load rating