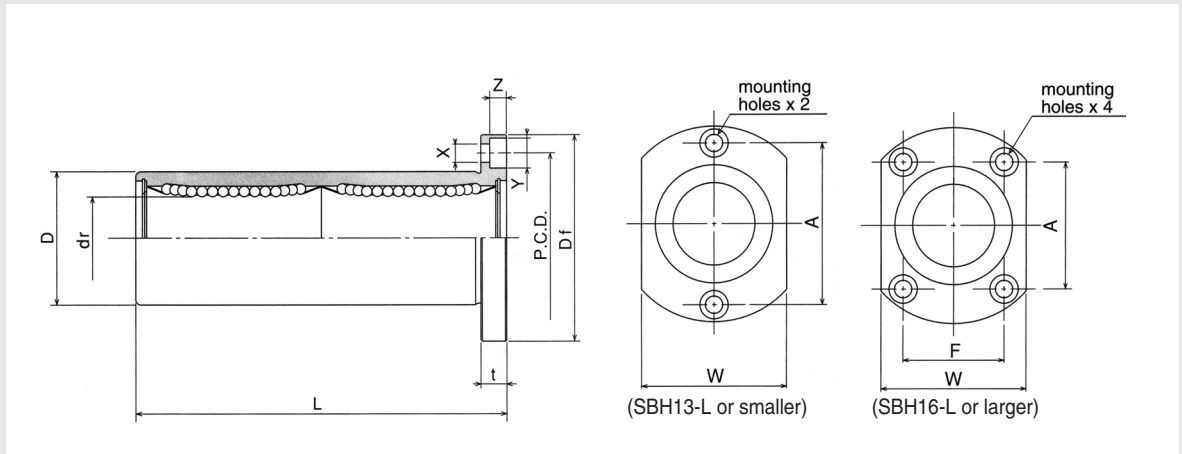


Linear Bushings

Asia type Ball Bushing

SBH-L Flange type



Model number	Number of ball circuits	dr		D		L		Df	W
			Permissible tolerance		Permissible tolerance		Permissible tolerance		
SBH6L	4	6	0 -0.010	12	0	35	-0.3	28	18
SBH8L	4	8		15	-0.013	45		32	21
SBH10L	4	10		19	0	55		40	25
SBH12L	4	12		21	-0.016	57		42	27
SBH13L	4	13		23	0	61		43	29
SBH16L	5	16	28	0	70	48		34	
SBH20L	5	20	32	-0.019	80	54		38	
SBH25L	6	25	40	0	112	62		46	
SBH30L	6	30	45	0	123	74		51	

① E : Eccentricity (Max)

② S : Squariness

③ C : Basic dynamic load rating

④ Co : Basic static load rating

⑤ M : Mass