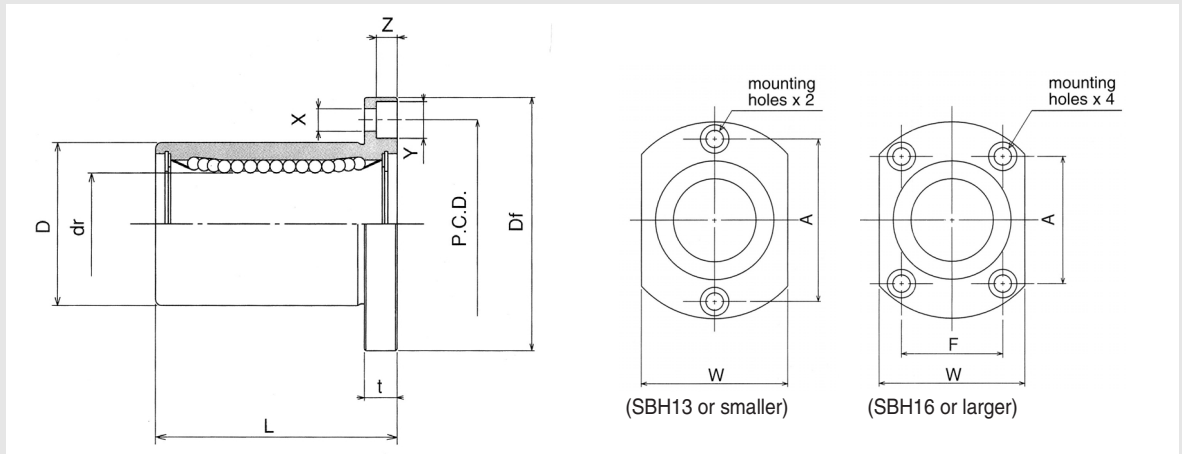


# Linear Bushings

## Asia type Ball Bushing

### SBH Flange type



Model number	Number of ball circuits	dr		D		L		Df	W
			Permissible tolerance		Permissible tolerance		Permissible tolerance		
SBH6	4	6	0 -0.009	12	0	19	±0.3	28	18
SBH8	4	8		15	-0.013	24		32	21
SBH10	4	10		19	0	29		40	25
SBH12	4	12		21		30		42	27
SBH13	4	13		23	-0.016	32		43	29
SBH16	5	16	28		37	48		34	
SBH20	5	20	0 -0.010	32	0	42		54	38
SBH25	6	25		40		59		62	46
SBH30	6	30		45	-0.019	64		74	51

① E : Eccentricity (Max)

② S : Squariness

③ C : Basic dynamic load rating

④ Co : Basic static load rating

⑤ M : Mass