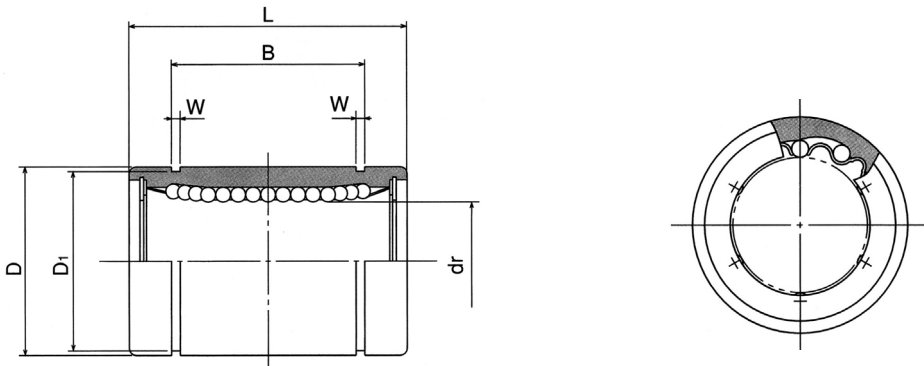


Linear Bushings

Asia type Ball Bushing

SB standard type



Model number	Number of ball circuits	dr		D		L		B	
			Permissible tolerance		Permissible tolerance		Permissible tolerance		Permissible tolerance
SB4	4	4	0	8	0	12	0	-	-
SB5	4	5	-0.008	10	-0.009	15	-0.02	10.2	
SB6	4	6		12		19		13.5	
SB8S	4	8		15	0	17		11.5	
SB8	4	8		15	-0.011	24		17.5	
SB10	4	10	0	19		29	0	22	0
SB12	4	12	-0.009	21	0	30	-0.2	23	-0.2
SB13	4	13		23	-0.013	32		23	
SB16	5	16		28		37		26.5	
SB20	5	20		32		42		30.5	
SB25	6	25	0	40	0	59		41	
SB30	6	30	-0.010	45	-0.016	64		44.5	
SB35	6	35	0	52	0	70	0	49.5	0
SB40	6	40	-0.012	60	-0.019	80	-0.3	60.5	-0.3
SB50	6	50	0	80	0	100		74	
SB60	6	60	-0.015	90	-0.022	110		85	

① E : Eccentricity (Max)

② RC : Permissible radial clearance

③ C : Basic dynamic load rating

④ Co : Basic static load rating

⑤ M : Mass