

LFH

LED Signal Light



LED

IP66

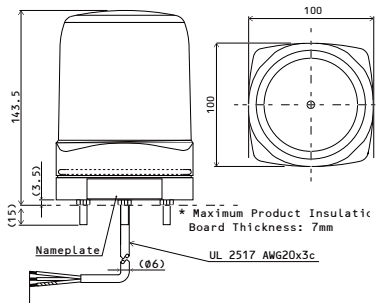
Ø100



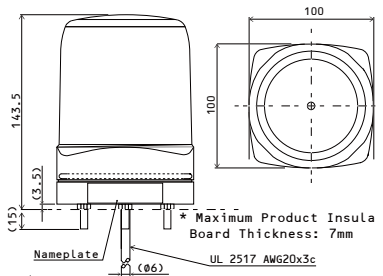
New LED flashing beacon! Available in five outdoor visible LED Colors and has UL certification.

Dimensions

- LFH

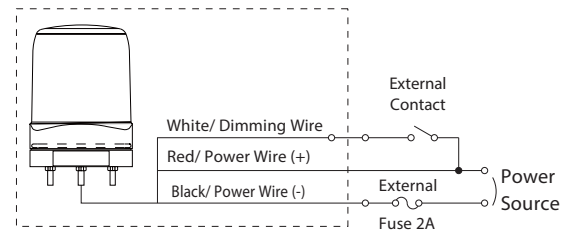


- LFH-M1

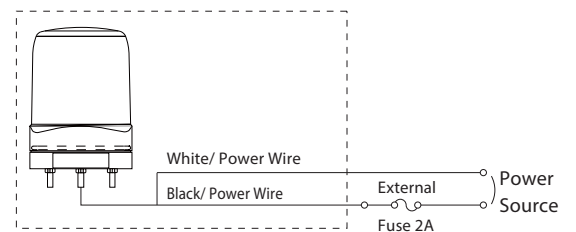


Wiring

- LFH



- LFH-M1



Specifications

Model	LFH-12	LFH-24	LFH-48	LFH-M2
Rated Voltage	DC 12V	DC 24V	DC 48V	AC 100 - 240V
Current Consumption (max)	0.50A	0.23A	0.18A	0.12A
Operating Ambient Temperature Range	-30°C to +70°C		-20°C to +60°C	
Protection Rating	IP66			
Mounting Location	Indoor or Outdoor Use			
Flash Rate	110 ±10fpm (Triple-flash)			
Certifications	UL, CE ^{*1} , RoHS, FCC			
Mass	0.57kg		0.61kg	

*1 LFH-48 not CE certified.

How to Order

