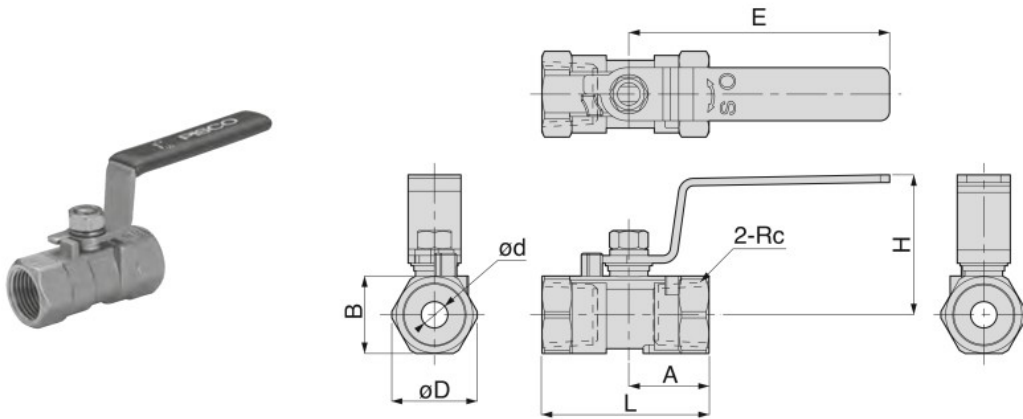


Appearance drawing



Unit : mm

Model code	Rc	A	B	L	E	øD	ød	H	Weight (g)
NSBVF10-02	1/4	19.3	16.5	39.4	57.8	17.9	5	31	62
NSBVF10-03	3/8	21.2	20.5	44.2	69	22.7	7	37	93.9
NSBVF10-04	1/2	27.5	24.5	56.6	89	27.3	9.2	43	170.5

Model code : NSBVF30-04

Weight(g) : 516

