

Lever Type Dial Indicators NEW PIC TEST

Without change lever PCN series

The New Pic Test is a lever type dial indicators used in all over the world.

It is a measuring instrument used for measurements of restricted areas, and the outside / inside, groove width and centering with the dial gauge installed to the lathe or the milling cutting machine for measurements with the gauges held on the height gauges.

● **Without change lever (Automatic inverse type)**

The lever type dial gauge of this type has no change lever, the contact point inverses automatically in normal or reverse direction as desired and pointer turns always CW to improve the measuring efficiency.

● **Miniature Bearing Used**

The miniature bearing used as a bearing at the pivot of the contact point to show good indication stability without any effect by rod play.

● **O-ring used**

Oil resistance is enhanced by seating the O-ring in the turning section of the outer frame.

Lever Type Dial Indicators NEW PIC TEST



PCN-0

Graduation: 0.01mm
Range: 0.5mm

- Small dial face (φ 29)



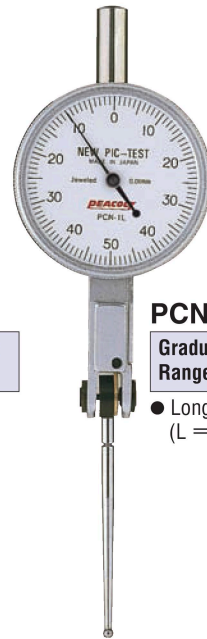
PCN-1A

Graduation: 0.01mm
Range: 0.5mm



PCN-1B

Graduation: 0.01mm
Range: 0.8mm



PCN-1L

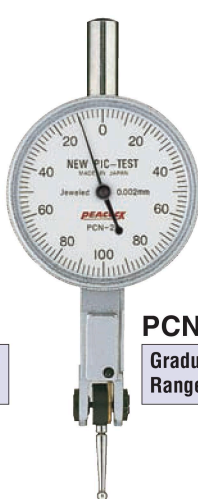
Graduation: 0.01mm
Range: 1.0mm

- Long contact point (L = 42.8mm)



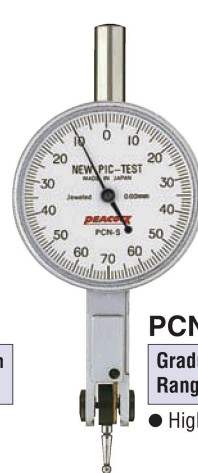
PCN-2

Graduation: 0.002mm
Range: 0.28mm



PCN-2B

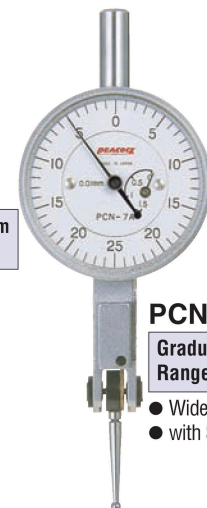
Graduation: 0.002mm
Range: 0.2mm



PCN-S

Graduation: 0.001mm
Range: 0.14mm

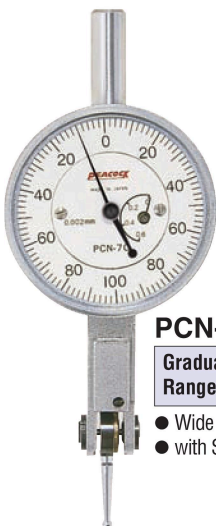
- High accuracy



PCN-7A

Graduation: 0.01mm
Range: 1.5mm

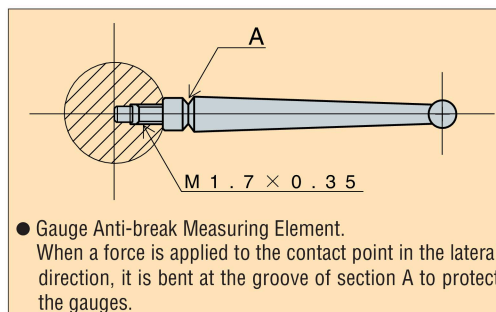
- Wide measuring range
- with Shorter Pointer



PCN-7C

Graduation: 0.002mm
Range: 0.6mm

- Wide measuring range
- with Shorter Pointer



● **Gauge Anti-break Measuring Element.**
When a force is applied to the contact point in the lateral direction, it is bent at the groove of section A to protect the gauges.

※ The contact point can simply replaced (See page P57).