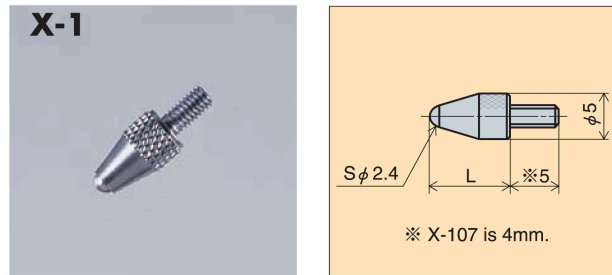


# Replaceable Contact Point (Screw pitch M2.5 × 0.45mm)

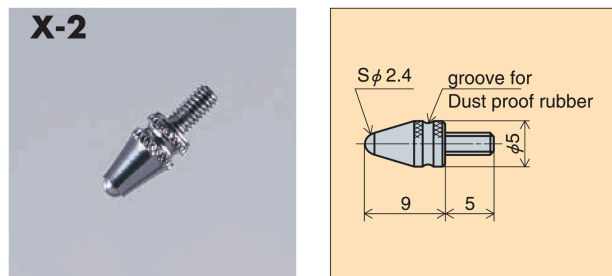
## for Dial Indicators and Linear Gauges

### ● Ball Contact Point



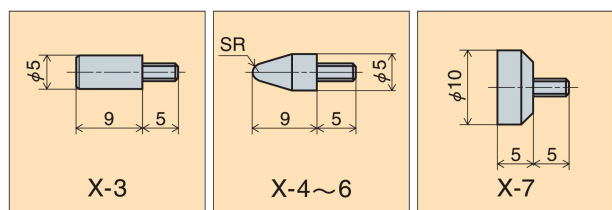
Part No.	L (mm)	Material
X-1	9	Steel
X-103	3.5	Steel
X-105	5	Steel
X-107	7.5	Steel
X-112	12.5	Steel
X-125	25	Steel
XB-1	9	Carbide
XB-115	15	Carbide
XB-125	25	Carbide
XB-130	30	Carbide
XC-1	9	Ruby
XC-125	25	Ruby

### ● Ball Contact Point for Oil Proof type



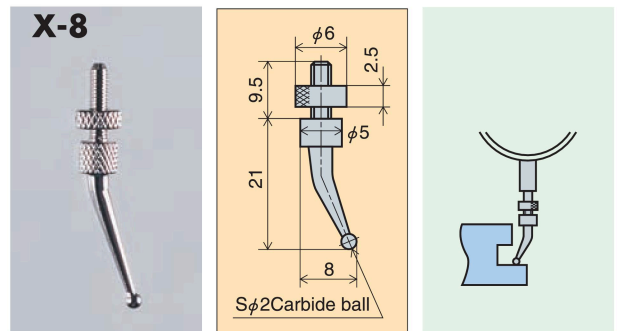
Part No.	L (mm)	Material
X-2	9	Steel
XB-2	9	Carbide
XC-2	9	Ruby
X-2A	12	Steel
XB-2A	12	Carbide

### ● Special Contact Point



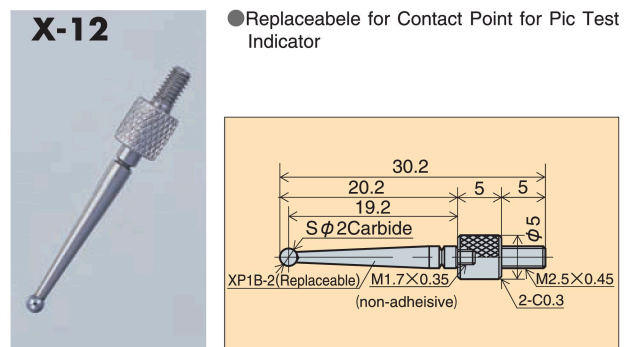
Part No.	Material
X-3	NSB
X-4	Copper
X-5	Bakelite
X-6	Teflon
X-7	Teflon

### ● Offset Contact Point



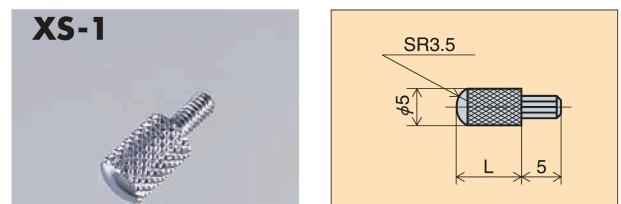
Part No.	Material
X-8	Carbide

### ● Special Contact Point



Part No.	Material
X-12	Carbide

### ● Spherical Contact Point



### XS-1 series

Part No.	L (mm)	Material
XS-1	8	SKS3
XS-105	5	SKS3
XS-110	10	SKS3
XS-115	15	SKS3
XS-120	20	SKS3
XS-125	25	SKS3
XS-130	30	SKS3